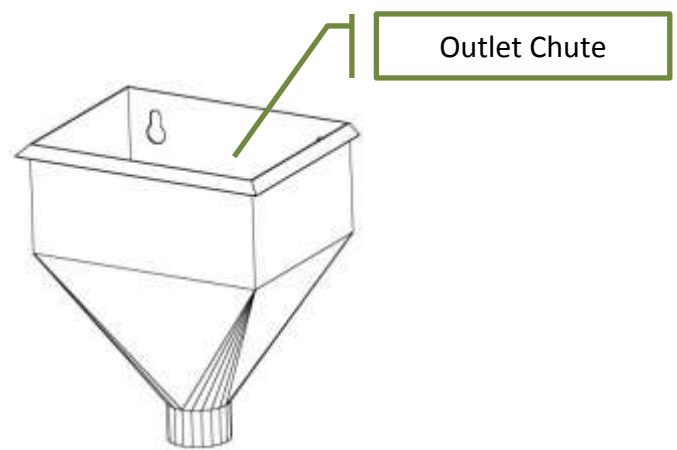
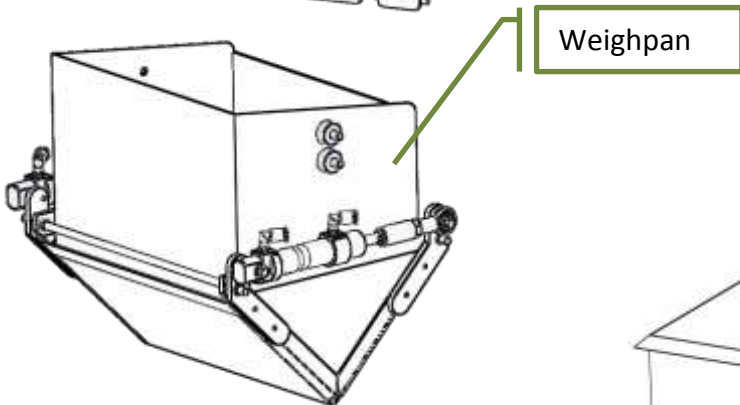
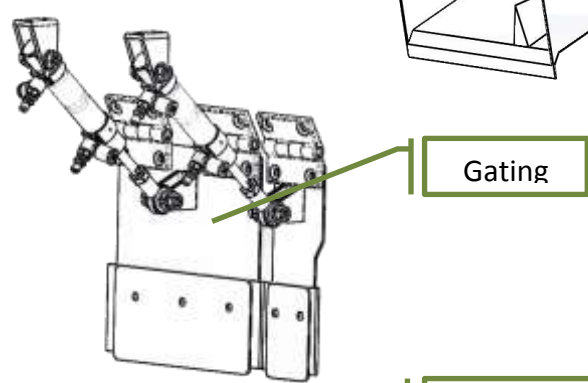
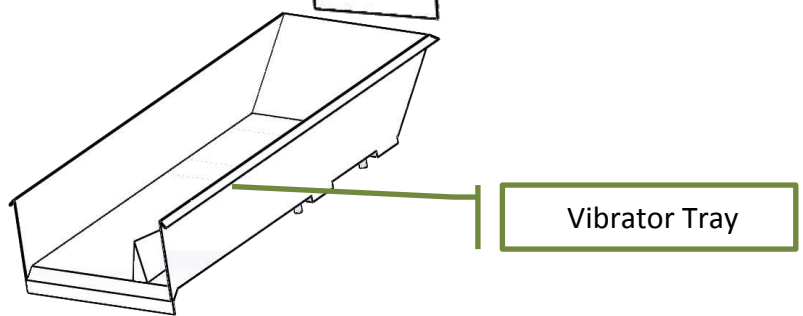
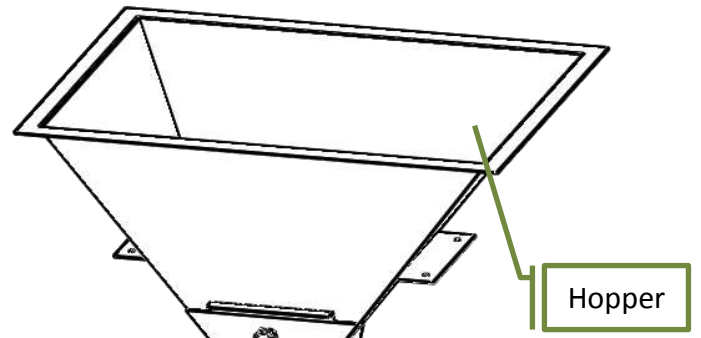
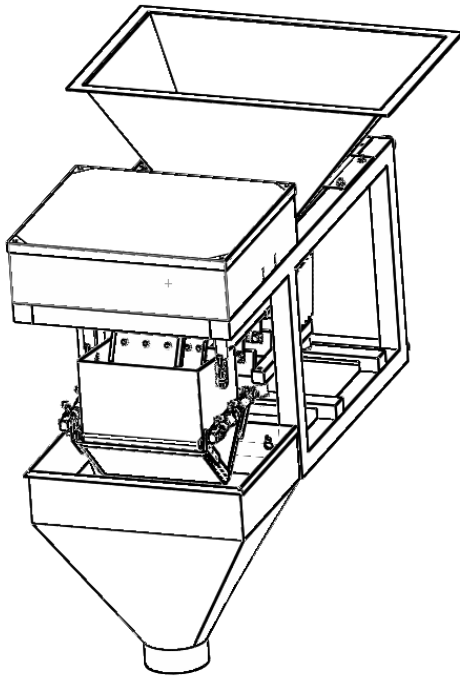
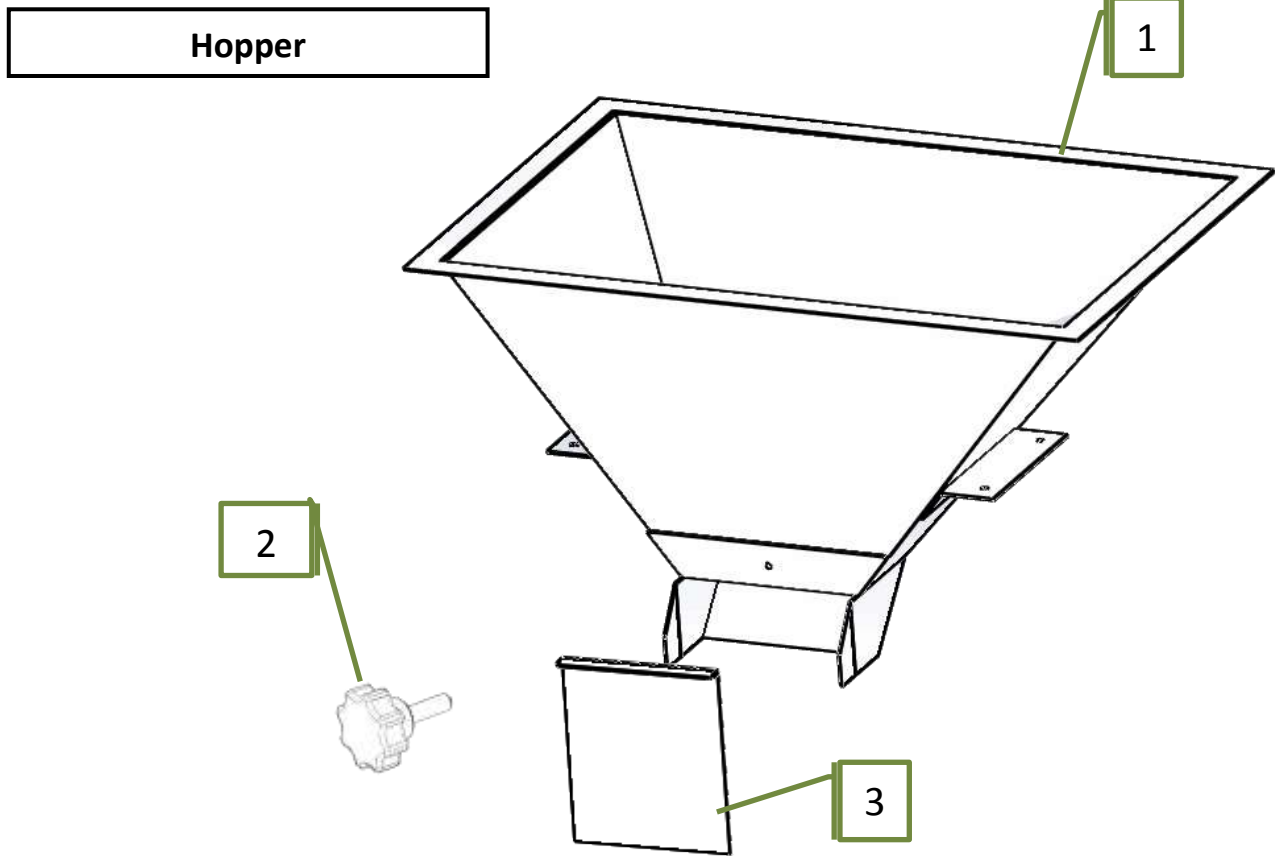


CMW2000 PARTS



CONTACT PARTS

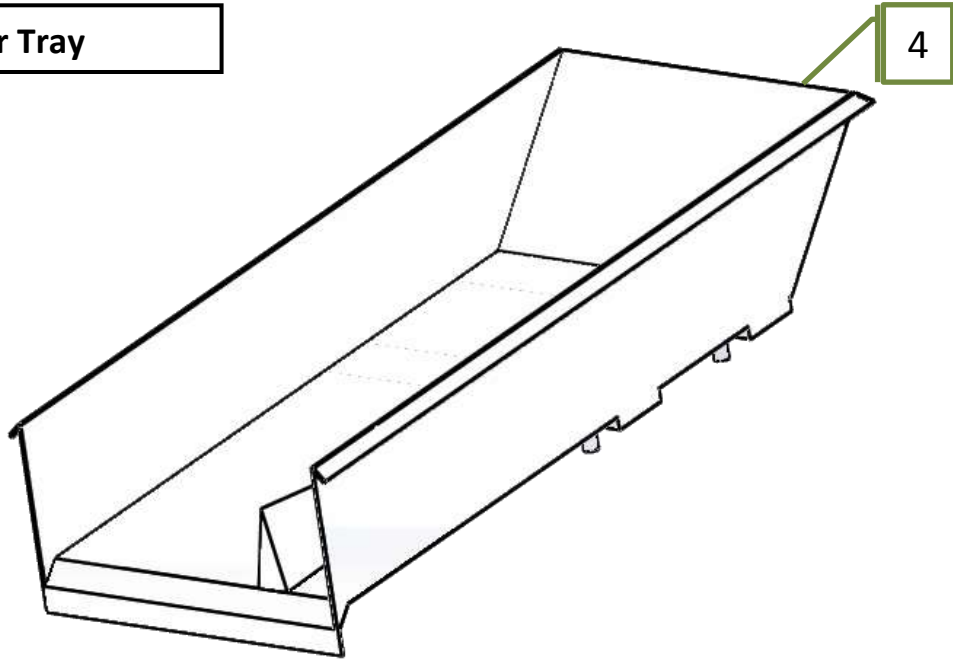
CMW2000 PARTS



| | | | |
|-----------|---------------|-----------------|---|
| CMW2000-1 | Hopper | Quantity Fitted | 1 |
| CMW2000-2 | M6 Hand Wheel | Quantity Fitted | 1 |
| CMW2000-3 | Hopper Gate | Quantity Fitted | 1 |

CMW2000 PARTS

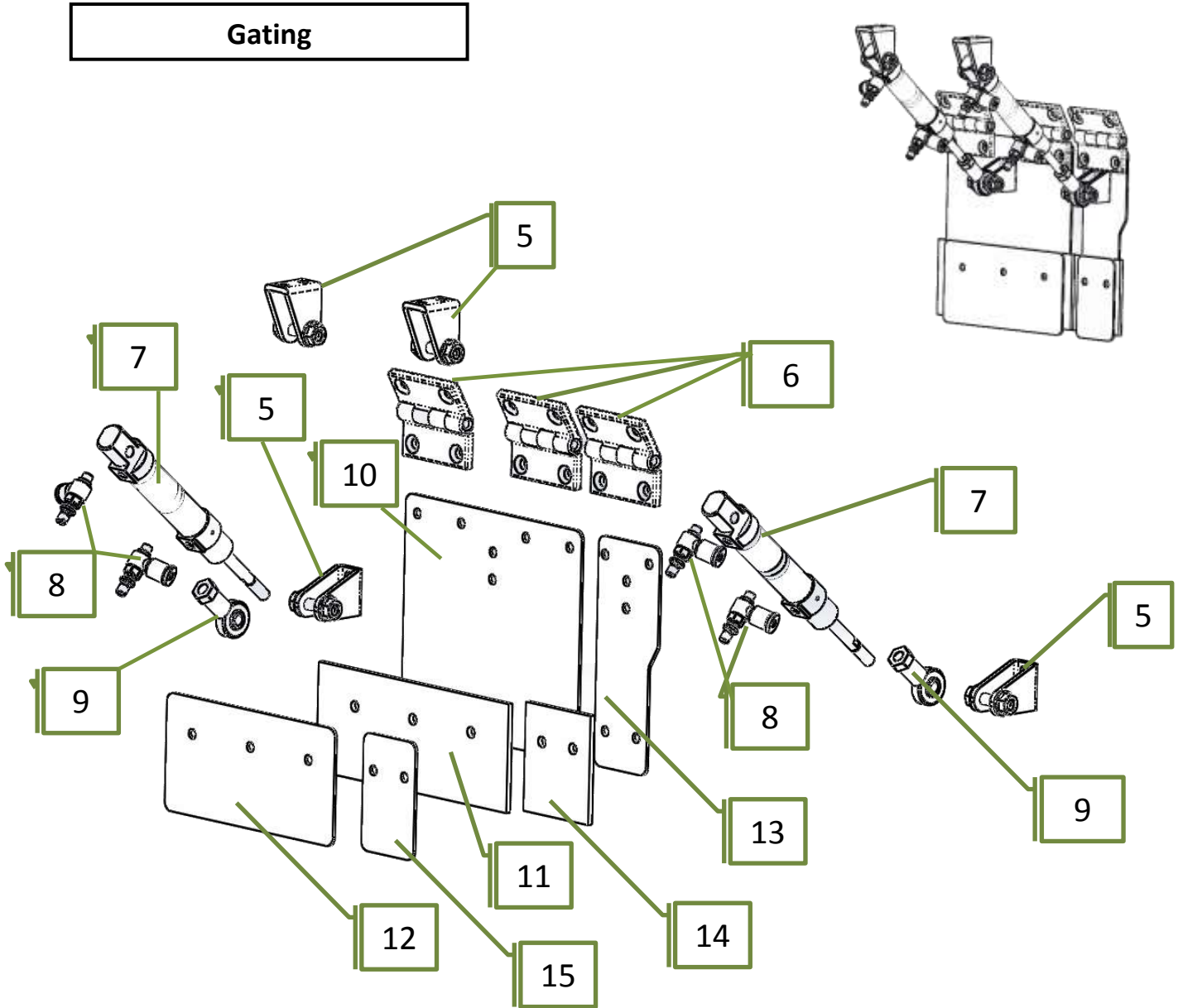
Vibrator Tray



| | | | |
|-----------|--------------------|-----------------|---|
| CMW2000-4 | Rear Vibrator Tray | Quantity Fitted | 1 |
|-----------|--------------------|-----------------|---|

CMW2000 PARTS

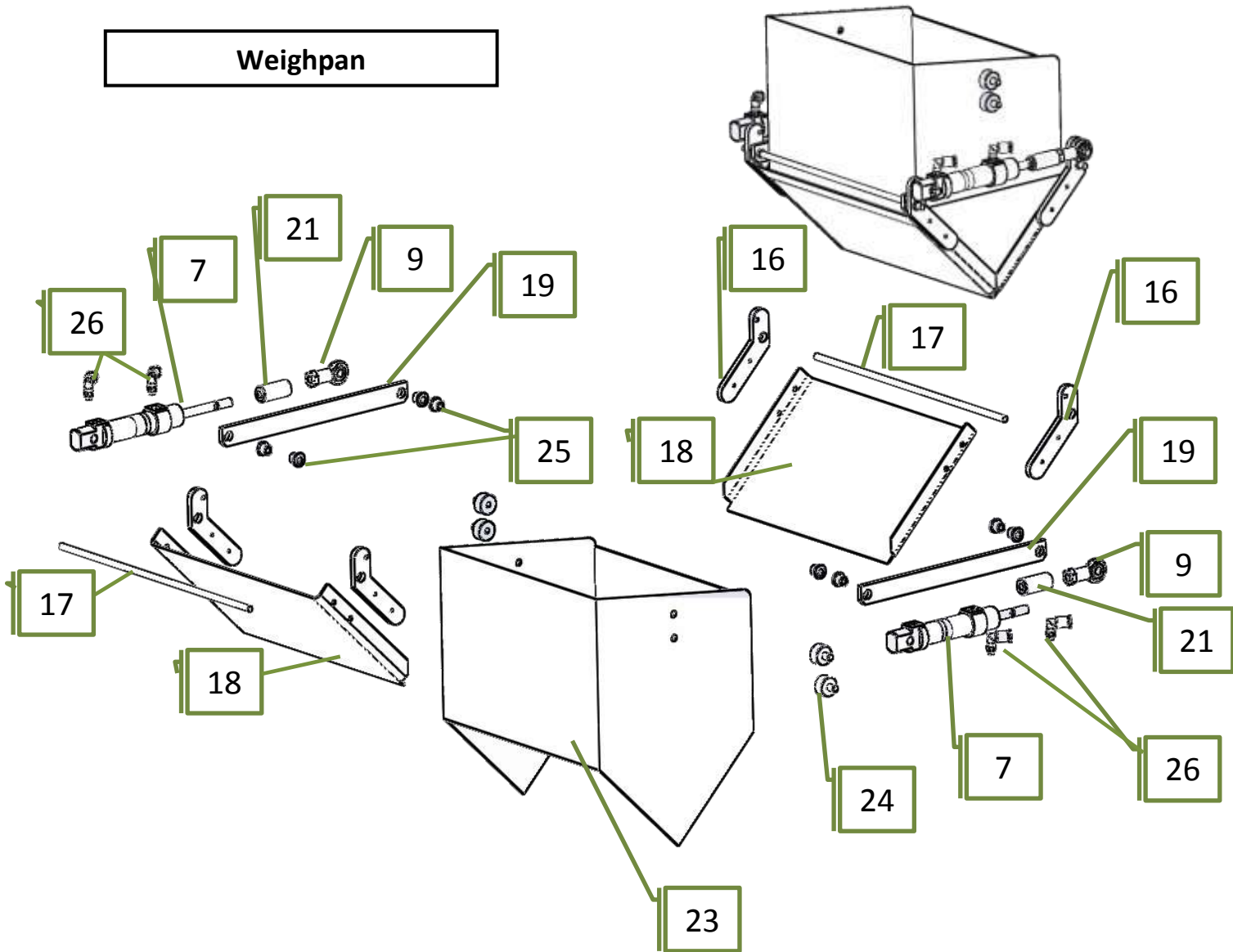
Gating



| | | | |
|------------|------------------------------|-----------------|---|
| CMW2000-5 | Clevis Cylinder Mount | Quantity Fitted | 4 |
| CMW2000-6 | Hinge | Quantity Fitted | 3 |
| CMW2000-7 | Cylinder | Quantity Fitted | 2 |
| CMW2000-8 | Speed Controller | Quantity Fitted | 4 |
| CMW2000-9 | Cylinder Rod End | Quantity Fitted | 2 |
| CMW2000-10 | Bulk Gate Plate | Quantity Fitted | 1 |
| CMW2000-11 | Bulk Gate Rubber Plate | Quantity Fitted | 1 |
| CMW2000-12 | Bulk Gate Rubber Clamp Plate | | 1 |
| CMW2000-13 | Fine Gate Plate | | 1 |
| CMW2000-14 | Fine Gate Rubber | | 1 |
| CMW2000-15 | Fine Gate Rubber Clamp Plate | | 1 |

CMW2000 PARTS

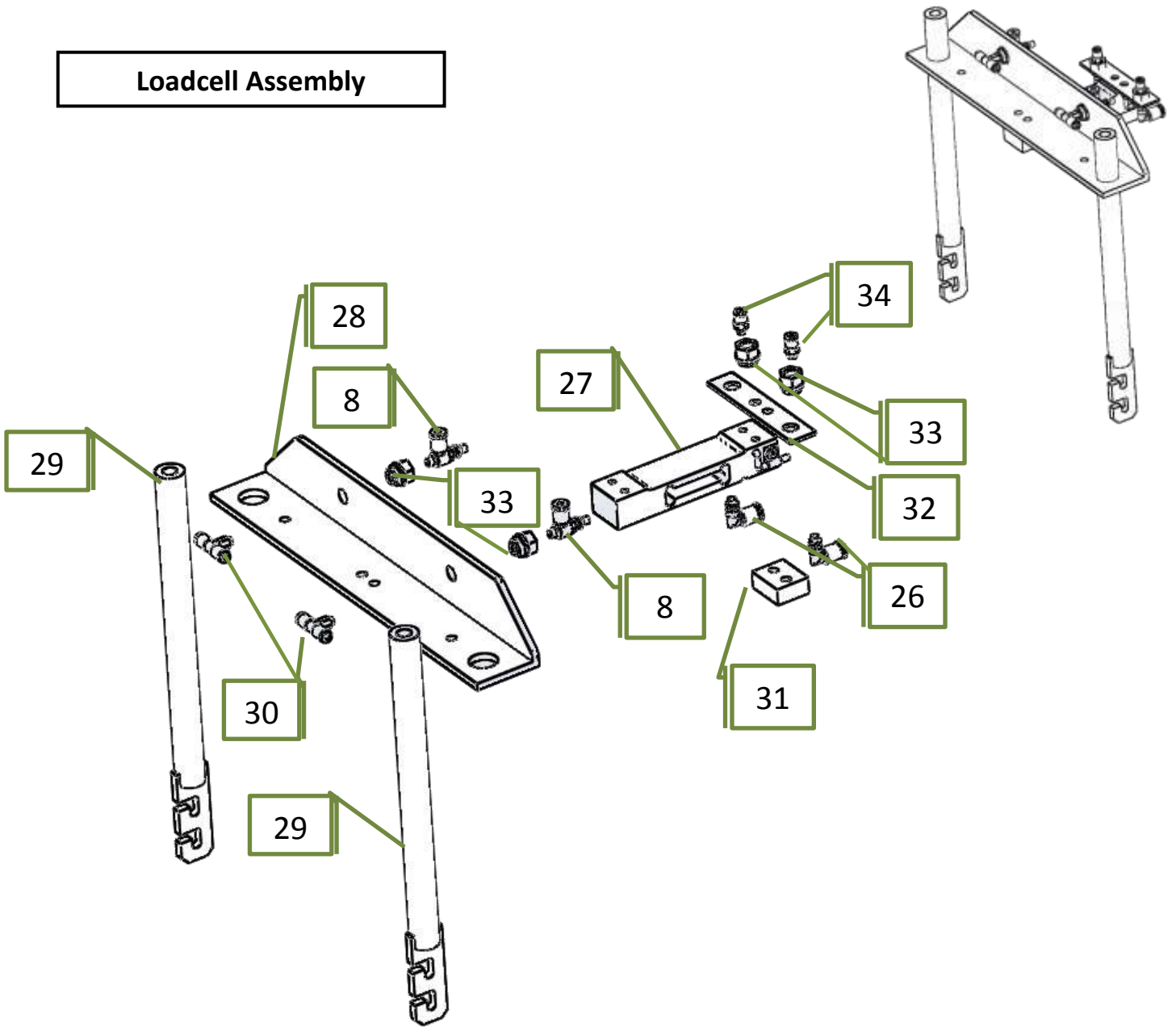
Weighpan



| | | | |
|------------|------------------------------|-----------------|---|
| CMW2000-16 | Lid Mounting Bracket | Quantity Fitted | 4 |
| CMW2000-17 | Weigh Pan Spindle | Quantity Fitted | 2 |
| CMW2000-18 | Weigh Pan Lid | Quantity Fitted | 2 |
| CMW2000-19 | Weigh Pan Side Bar | Quantity Fitted | 2 |
| CMW2000-7 | Weighpan Cylinder | Quantity Fitted | 2 |
| CMW2000-21 | Weigh Pan Cylinder extension | Quantity Fitted | 2 |
| CMW2000-9 | Cylinder Rod End | Quantity Fitted | 2 |
| CMW2000-23 | Weigh Pan Body | Quantity Fitted | 1 |
| CMW2000-24 | Weigh Pan Spacer | Quantity Fitted | 4 |
| CMW2000-25 | Flanged Bush | Quantity Fitted | 8 |
| CMW2000-26 | Swivel Elbow | Quantity Fitted | 4 |

CMW2000 PARTS

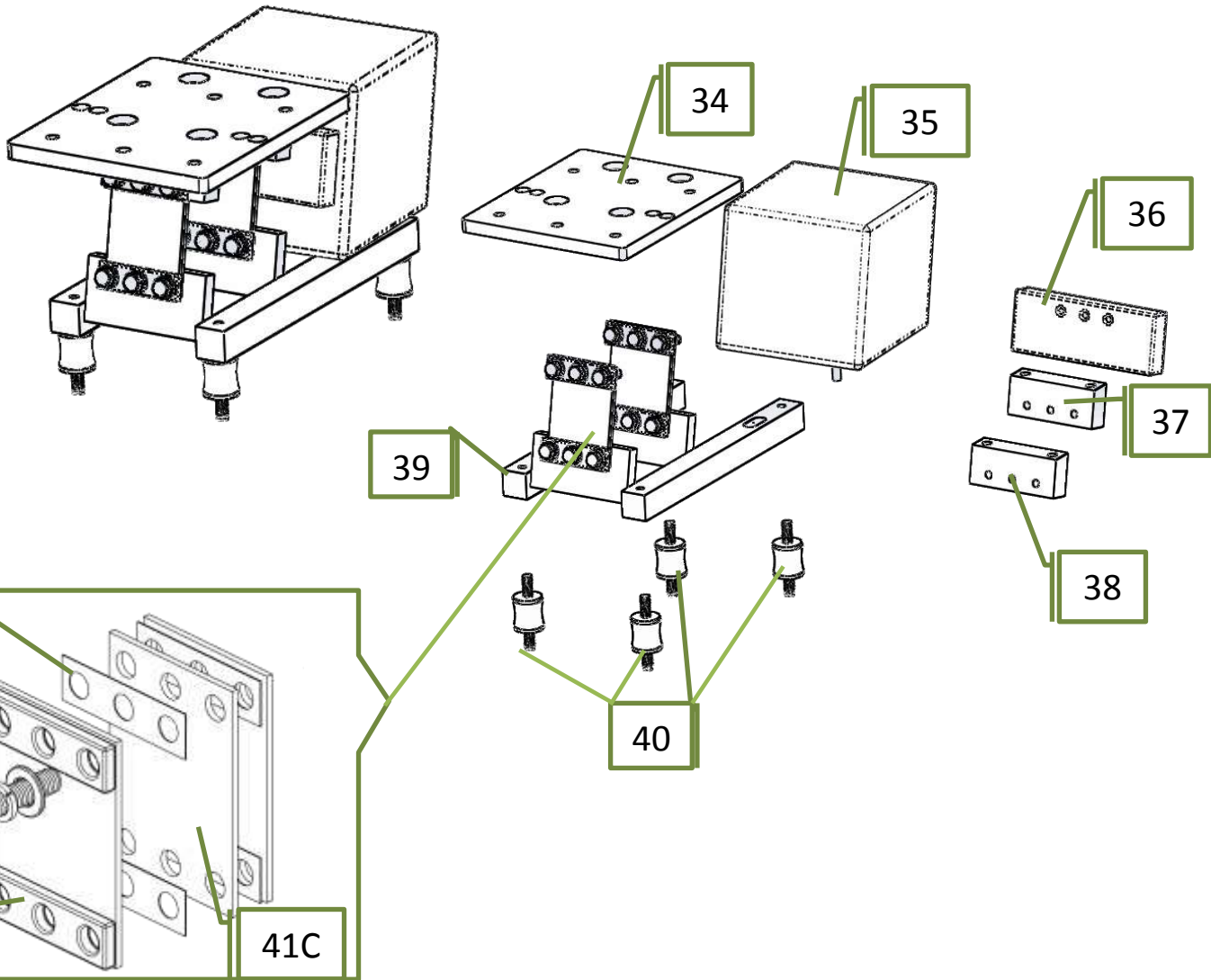
Loadcell Assembly



| | | | |
|------------|---------------------------|-----------------|---|
| CMW2000-8 | Speed Controller | Quantity Fitted | 2 |
| CMW2000-26 | Swivel Elbow | Quantity Fitted | 2 |
| CMW2000-27 | Load-cell | Quantity Fitted | 1 |
| CMW2000-28 | Load-cell Cross Bar | Quantity Fitted | 1 |
| CMW2000-29 | Weigh Pan Hanger Bar | Quantity Fitted | 2 |
| CMW2000-30 | M5-4mm Tee | Quantity Fitted | 2 |
| CMW2000-31 | Loadcell Spacer | Quantity Fitted | 1 |
| CMW2000-32 | Load-cell Fitting Support | Quantity Fitted | 1 |
| CMW2000-33 | M10-M5 Thread Adaptor | Quantity Fitted | 4 |
| CMW2000-34 | M5-4mm Straight Fitting | Quantity Fitted | 2 |

CMW2000 PARTS

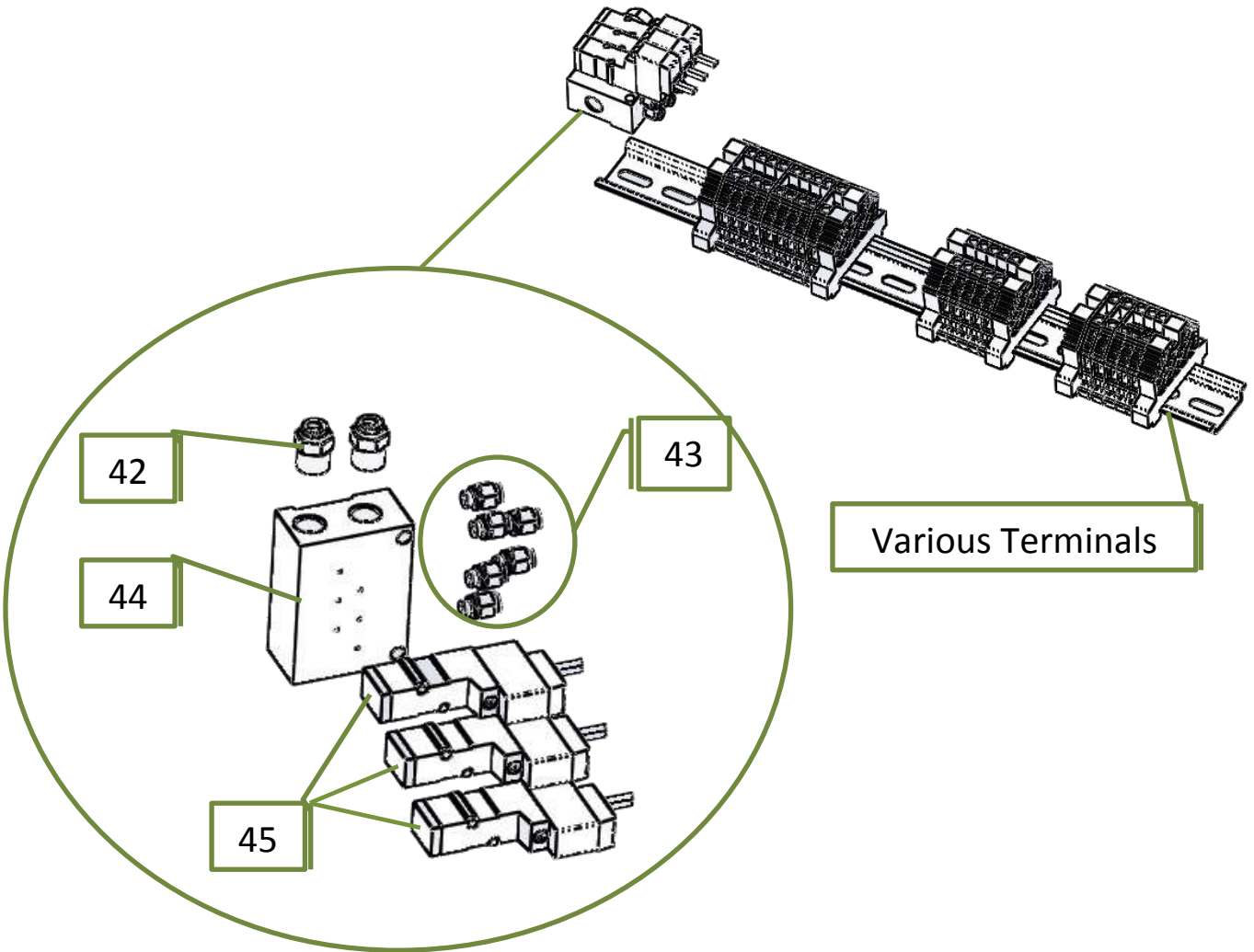
Vibrator Assembly



| | | | |
|----------------|--------------------------|-----------------|--------|
| CMW2000-34 | Top Plate | Quantity Fitted | 1 |
| CMW2000-35 | V1 Coil | Quantity Fitted | 1 |
| CMW2000-36 | V1 Armature | Quantity Fitted | 1 |
| CMW2000-37 | Upper Spring Block Rear | Quantity Fitted | 1 |
| CMW2000-38 | Upper Spring Block Front | Quantity Fitted | 1 |
| CMW2000-39 | V1 Base Frame | Quantity Fitted | 1 |
| CMW2000-40 | Anti-Vibration Rubber | Quantity Fitted | 4 |
| CMW2000-41A | Spring Spacer | Quantity Fitted | Varies |
| CMW2000-41B | Spring Clamp Bar | Quantity Fitted | 4 |
| CMW2000-41C-7 | V1 Spring 7ply | Quantity Fitted | Varies |
| CMW2000-41C-9 | V1 Spring 9ply | Quantity Fitted | Varies |
| CMW2000-41C-11 | V1 Spring 11ply | Quantity Fitted | Varies |

CMW2000 PARTS

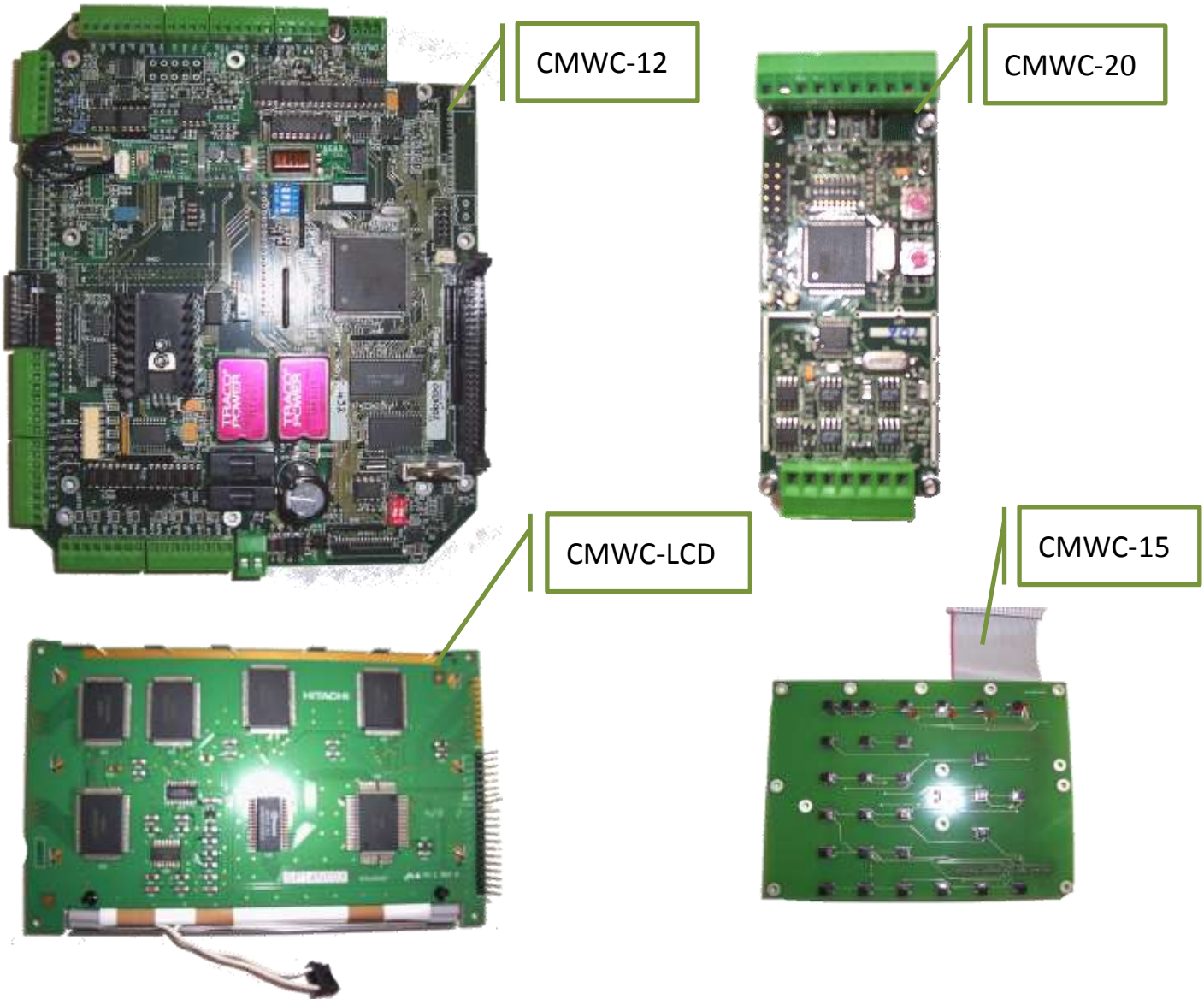
Top Box Terminals



| | | | |
|------------|-------------------------------|-----------------|---|
| CMW2000-42 | Silencer (1/8") | Quantity Fitted | 2 |
| CMW2000-43 | STRIGHT MALE ADAPTOR (4mm/M5) | Quantity Fitted | 6 |
| CMW2000-44 | MANIFOLD (3 STATION) | Quantity Fitted | 1 |
| CMW2000-45 | SOLENOID VALVE(SYJ3140-5G) | Quantity Fitted | 3 |

CMW2000 PARTS

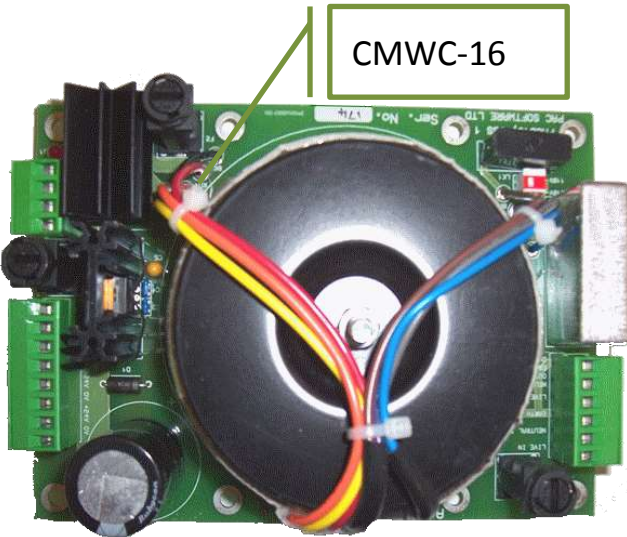
ELECTRONICS



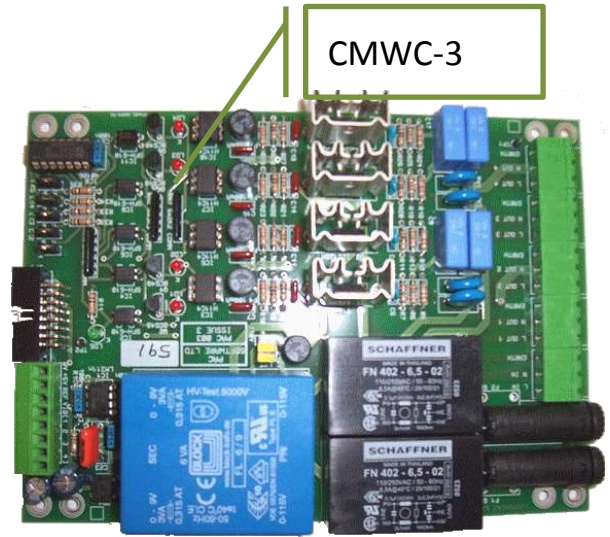
| | | | |
|----------|---------------------|-----------------|--------|
| CMWC-12 | Main I/O Board | Quantity Fitted | 1 |
| CMWC-20 | Load-cell Digitiser | Quantity Fitted | Varies |
| CMWC-LCD | Back Light LCD | Quantity Fitted | 1 |
| CMWC-15 | Key Pad & Connector | Quantity Fitted | 1 |

CMW2000 PARTS

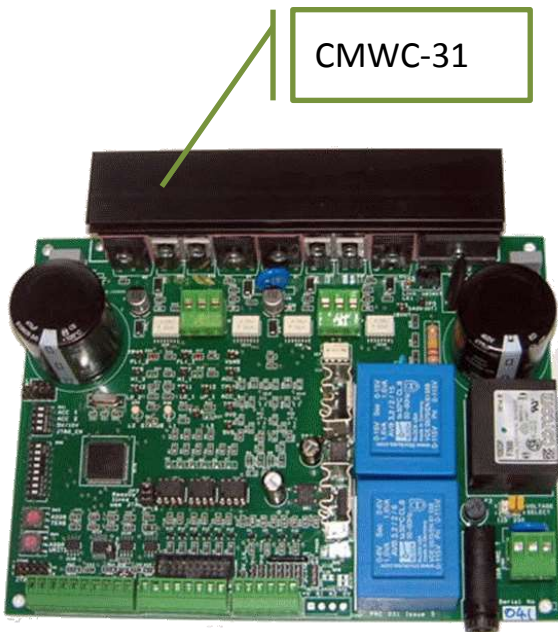
ELECTRONICS



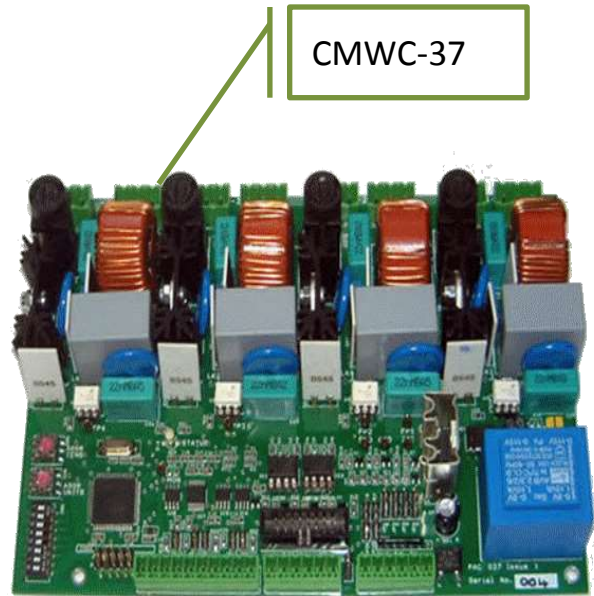
CMWC-16



CMWC-3



CMWC-31

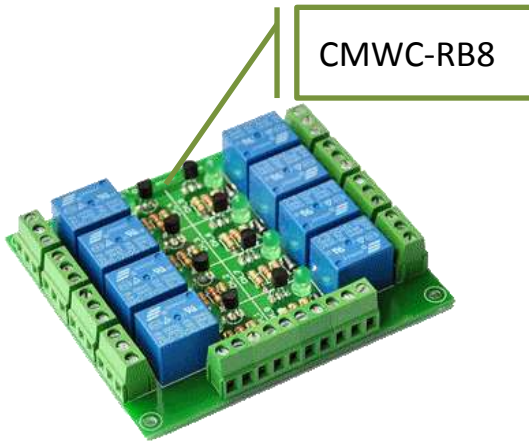
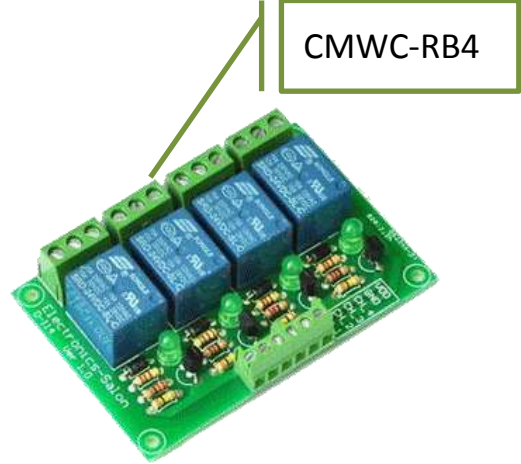
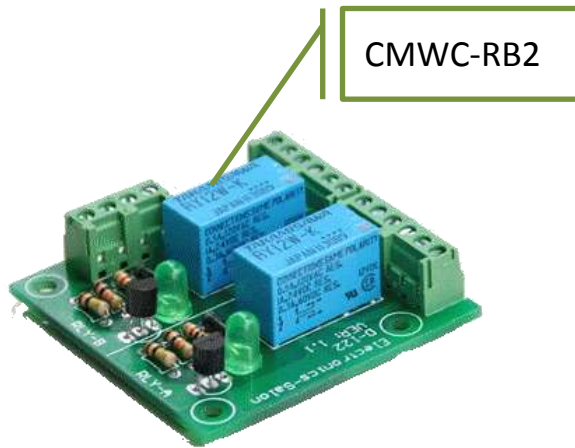


CMWC-37

| | | | |
|---------|---|-----------------|--------|
| CMWC-16 | Power Supply Board | Quantity Fitted | Varies |
| CMWC-3 | Four Channel Vibrator Board | Quantity Fitted | Varies |
| CMWC-31 | Two Channel Variable Frequency Vibrator Board | Quantity Fitted | Varies |
| CMWC-37 | Four Channel Hi-Load Vibrator Board | Quantity Fitted | Varies |

CMW2000 PARTS

ELECTRONICS



| | | | |
|----------|---------------------------|-----------------|--------|
| CMWC-RB2 | Two Channel Relay Board | Quantity Fitted | Varies |
| CMWC-RB4 | Four Channel Relay Board | Quantity Fitted | Varies |
| CMWC-RB8 | Eight Channel Relay Board | Quantity Fitted | Varies |

CMW2000 PARTS

CMW 2000 RECOMMENDED SPARES

| Item no | Description | Qty | |
|----------------|--|-----|--|
| CMW2000-27 | LOADCELL 1022 30KG | 1 | |
| CMW2000-8 | SPEED CONTROLLER ELBOW (4mm/M5) | 1 | |
| CMW2000-26 | MALE ELBOW (4mm/M5) | 1 | |
| CMW2000-34 | STRAIGHT MALE ADAPTOR (4mm/M5) | 1 | |
| CMW2000-7 | CYLINDER (D/A Ø16 BORE x 25 STROKE, ISO) | 1 | |
| CMW2000-45 | SOLENOID VALVE (SYJ3140-5G) | 1 | |
| CMW2000-25 | FLANGED BUSH (OILITE) | 1 | |
| CMW2000-41C-7 | VIB SPRINGS V1 7 PLY | 1 | |
| CMW2000-41C-9 | VIB SPRINGS V1 9 PLY | 1 | |
| CMW2000-41C-11 | VIB SPRINGS V1 11 PLY | 1 | |
| CMW2000-41A | M8 VIB SPRING SPACER | 1 | |
| CMW2000-35 | V1 COIL | 1 | |
| CMW2000-9 | IGUBAL ROD END BEARING (M6) | 1 | |

CMW2000 PARTS

ELECTRONIC SPARES

| Item no | Description | Qty. | |
|----------------|-------------------------------|-------------|--|
| CMWC-20 | PAC020 LOADCELL DIGITIZER | 1 | |
| CMWC-16 | PAC016-160 24V P/SUPPLY 160VA | 1 | |
| CMWC-15 | PAC015 KEYPAD & CONNECTORS | 1 | |
| CMWC-LCD | PAC LCD | 1 | |

ELECTRONICS SINGLE / TWIN

| | | | |
|---------|-----------------------|---|--|
| CMWC-12 | PAC012-3002 LCD BOARD | 1 | |
|---------|-----------------------|---|--|

ELECTRONICS TRIPLE / QUAD

| | | | |
|----------|---------------------------------|---|--|
| CMWC-11 | PAC011- 24XI/O CONTROLLER BOARD | 1 | |
| CMWC-12A | PAC012-3008 REMOTE LCD BOARD | 1 | |

ELECTRONICS OPTIONS

| | | | |
|----------|---|---|--|
| CMWC-3 | PAC003 4 CHANNEL VIBRATOR DRIVE | 1 | |
| CMWC-37 | PAC037 4 CHANNEL VIBRATOR DRIVE | 1 | |
| CMWC-31 | PAC031 2 CHANNEL FREQUENCY VIBRATOR DRIVE | 1 | |
| CMWC-RB2 | RLB2 2 CHANNEL RELAY BOARD | 1 | |
| CMWC-RB4 | RLB4 4 CHANNEL RELAY BOARD | 1 | |
| CMWC-RB8 | RLB8 8 CHANNEL RELAY BOARD | 1 | |