

COTSWOLD MECHANICAL LTD

CMW4000BF



**Mechanical
Handling,
Weighing and
Counting**

THE CMW4000BF WEIGHING SYSTEM

Micro Processor Control System, with 100 Product Memory
Precision Weighing System
Latest Technology Control System
Stainless Steel Construction
Simple Removable Feed Belt System for Ease of Cleaning
F.D.A Approved Feed Belt
Stainless Steel Contact Parts in Mirror Polished, Rigidised 304 or 316
Automatic and Manual Systems
Weight Range 50 g to 1 kg
Speed: Up To 15 Weighing's per Minute
Integral interface signals to control both upstream and downstream equipment

COTSWOLD MECHANICAL LTD
Unit 4, Chancel Close, Eastern Avenue, Gloucester, GL4 3SN
TEL: (01452) 309944 FAX: (01452) 306644

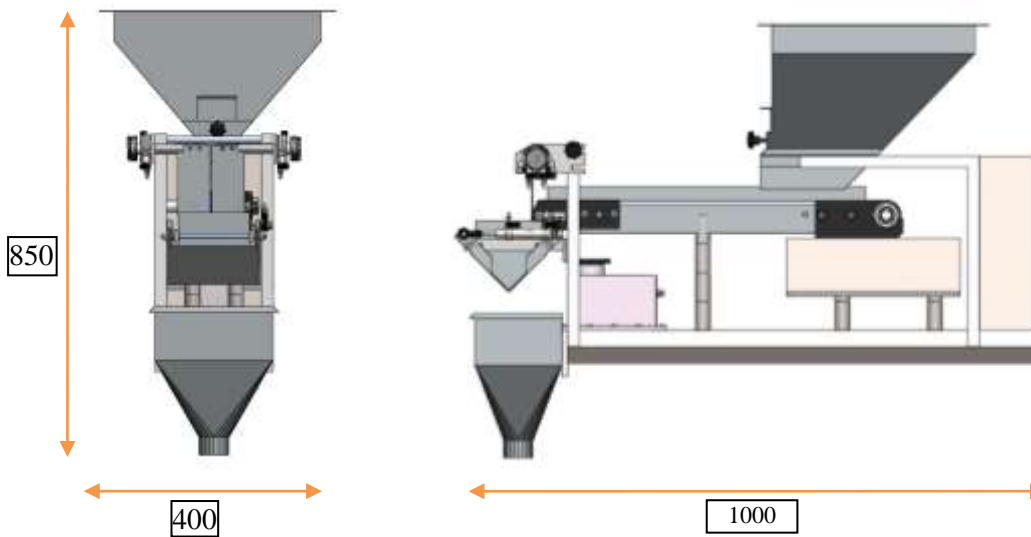
<http://www.cotsmech.co.uk>

Email: enquiries@cotsmech.co.uk

Cotswold Mechanical CMW4000BF

COTSWOLD MECHANICAL LTD

CMW4000BF4000



**Mechanical
Handling,
Weighing and
Counting**

CMW4000BF	(Typical Machine)
Power Requirements	230 Vac 1 Phase 50 Hz 8 Amp 1840 w – 2 Kw – 3 kVA.
Air Consumption	Approximately 15 Litres per Minute @ 5 Bar (60 PSI)
Approximate Dimensions	L 1000mm W 400mm H 850mm
Weight	120 Kg

The majority of food contact parts of all weighing machines have been designed and built in Grade 304/316, Food Quality Stainless Steel. Their construction is such that all seam welds are continuous, crevice free & dressed clean to eliminate product retention. Gating contact parts are of FDA Approved, FQ Nitrile Rubber construction.

Furthermore, the machinery is designed & built wherever possible in accordance with:
 The following transposed harmonised European standards
 Machinery Directive 2006/42/EC and the protection requirements of the Electromagnetic Compatibility Directive 2004/108/EC
 BS EN ISO 12100-1:2003 safety of machinery – basic concepts, general principles for design.
 BS EN ISO 13857, safety of machinery – safety distances to prevent danger zones being reached by the upper limbs
 EN349:1993+A1 2008 safety of machinery – minimum gaps to avoid crushing of parts of the body
 EN13850:2005 + BS EN 60947-5-5 safety of machinery – emergency stop equipment, functional aspects – principles for design
 BS EN 60204-1:2006 + A1 2009 safety of machinery – electrical equipment of machines – specification for general requirements
 NEN-EC-IEC 61000-6-1: 2001:Generic Emissions standard and Generic Immunity standard:
 Industrial environments

In addition this machinery has been designed and manufactured in accordance with:
 British Standard PD 5304:2005 Safety of Machinery
 The Plastics Materials and Articles in contact with Food Regulations 2011

COTSWOLD MECHANICAL LTD
 Unit 4, Chancel Close, Eastern Avenue, Gloucester, GL4 3SN
 TEL: (01452) 309944 FAX: (01452) 306644

<http://www.cotsmech.co.uk>

Email: enquiries@cotsmech.co.uk

Cotswold Mechanical CMW4000BF