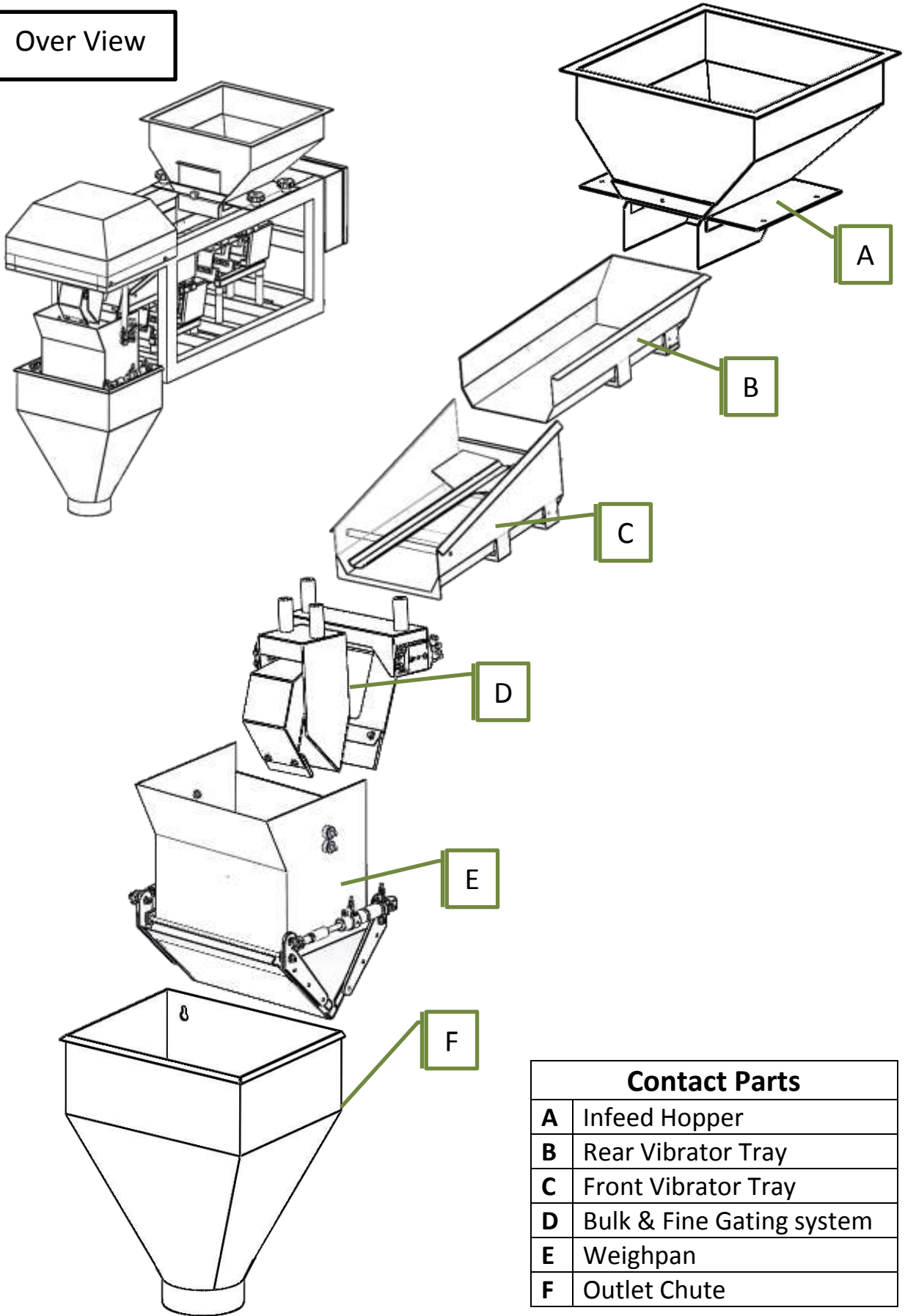


CMW5000 PARTS

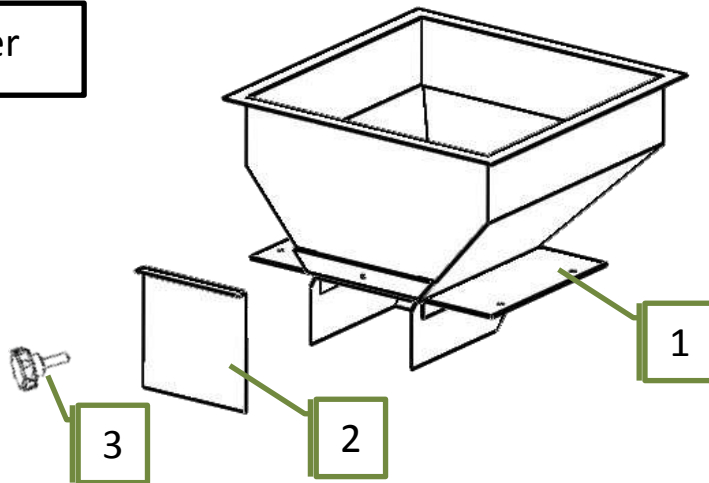
Over View



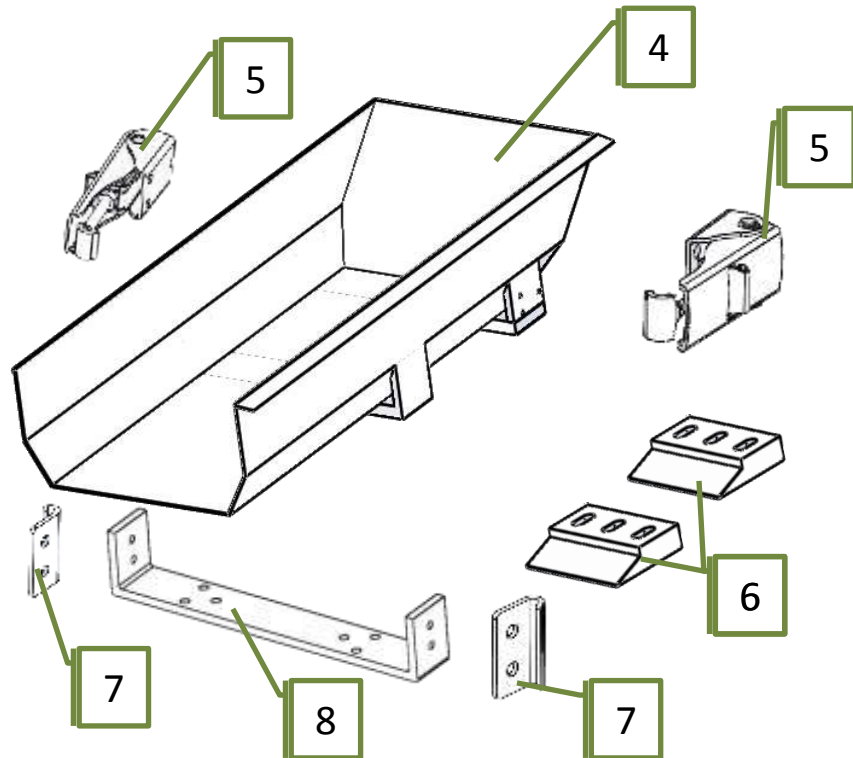
Contact Parts	
A	Infeed Hopper
B	Rear Vibrator Tray
C	Front Vibrator Tray
D	Bulk & Fine Gating system
E	Weighpan
F	Outlet Chute

CMW5000 PARTS

Hopper

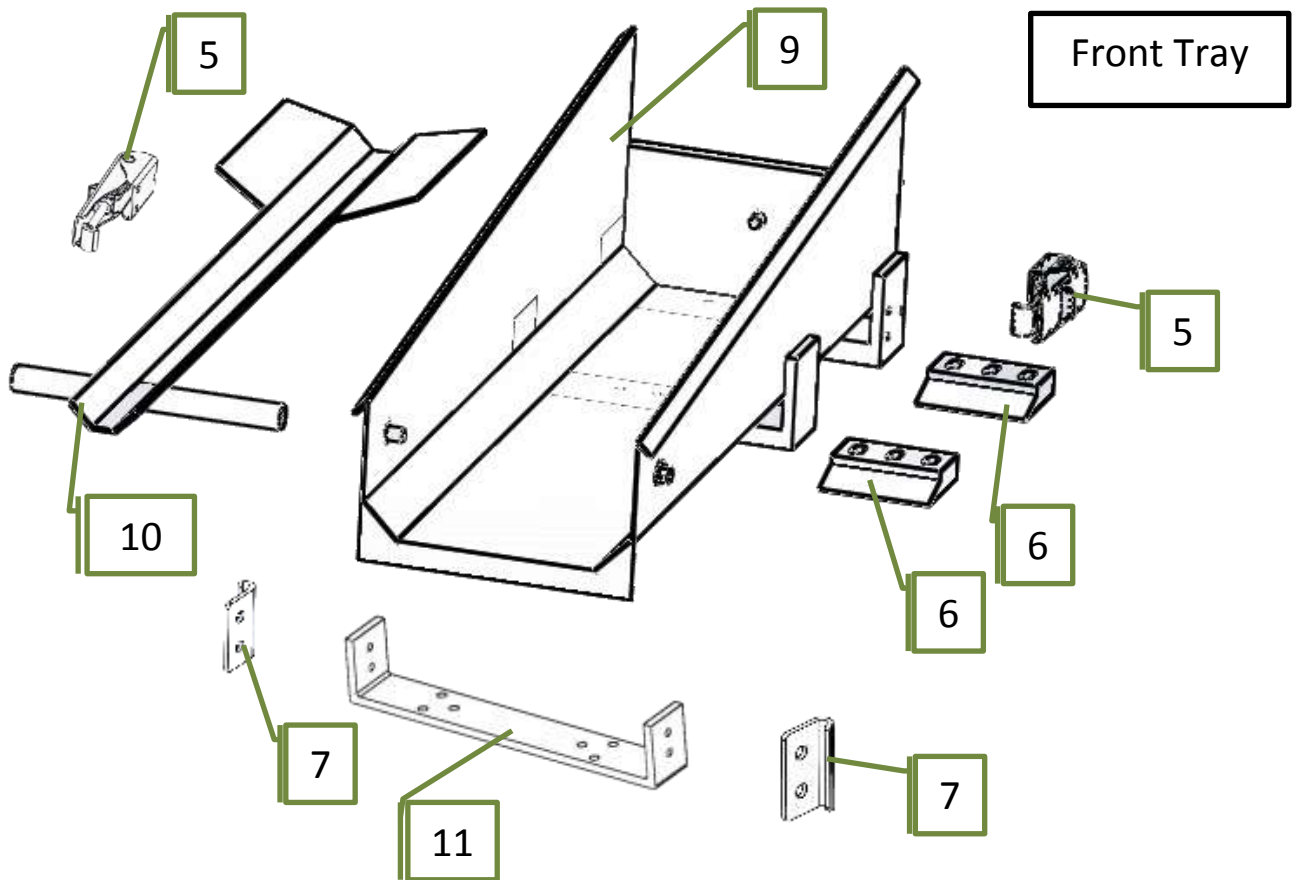


Rear Tray



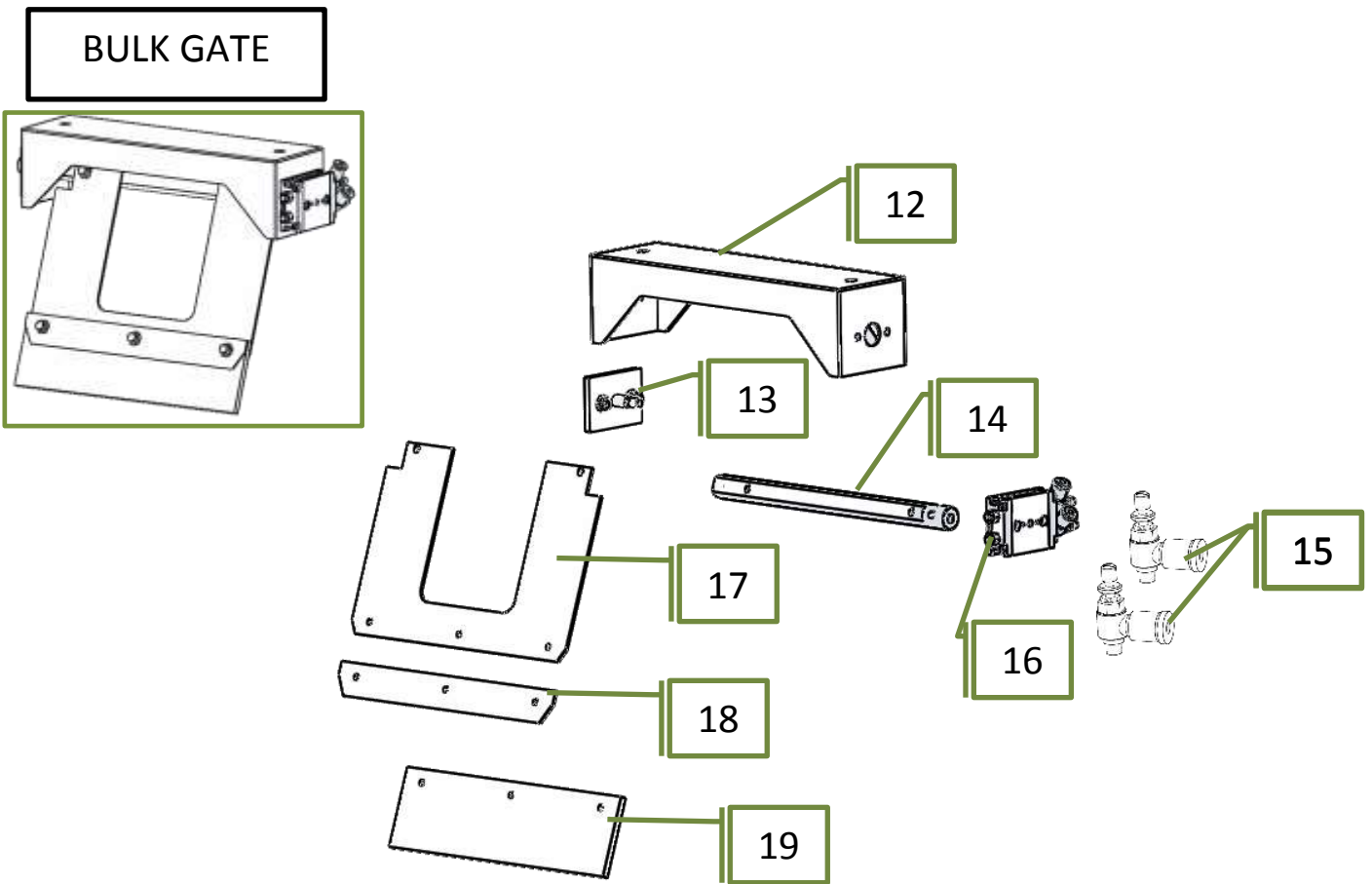
CMW5000-1	Infeed Hopper	Quantity Fitted	1
CMW5000-2	Hopper Slide gate	Quantity Fitted	1
CMW5000-3	M6 Hand Wheel	Quantity Fitted	2
CMW5000-4	Rear Vibrator Tray	Quantity Fitted	1
CMW5000-5	Tray Retaining Latch	Quantity Fitted	2
CMW5000-6	Tray Locating Wedge	Quantity Fitted	2
CMW5000-7	Tray Latch Retainer	Quantity Fitted	2
CMW5000-8	Rear Tray Retainer Bracket	Quantity Fitted	1

CMW5000 PARTS



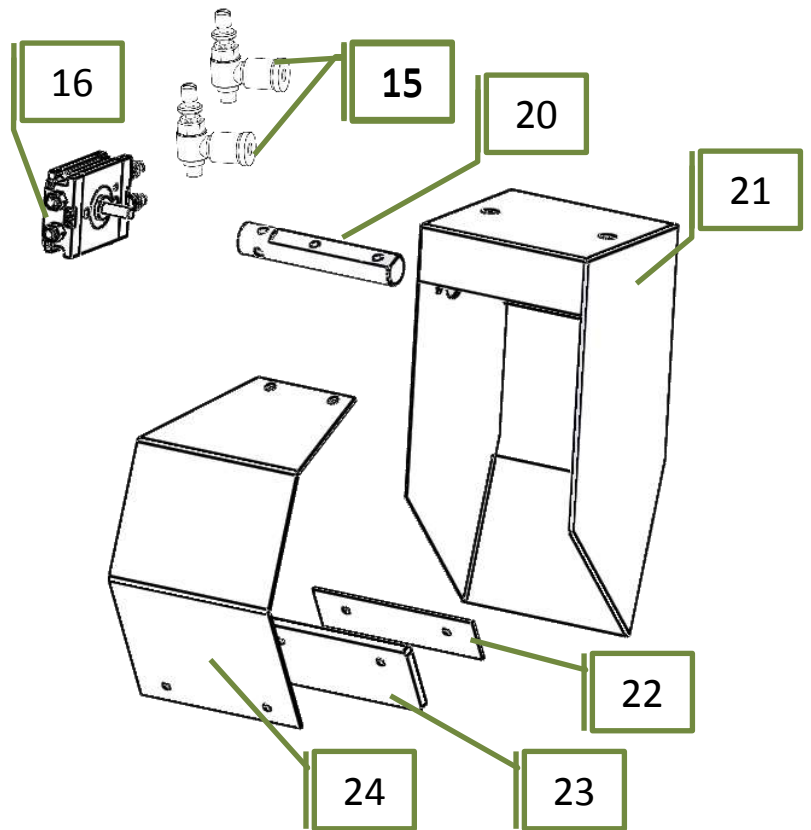
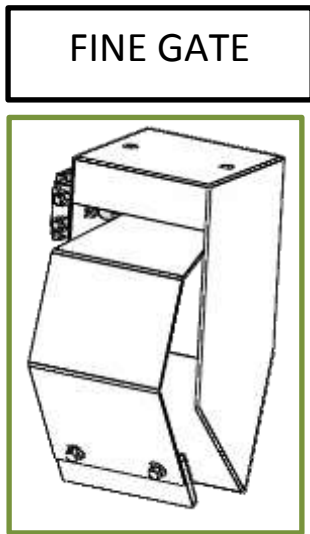
CMW5000-5	Tray Retaining Latch	Quantity Fitted	2
CMW5000-6	Tray Locating Wedge	Quantity Fitted	2
CMW5000-7	Tray Latch Retainer	Quantity Fitted	2
CMW5000-9	Front Vibrator Tray	Quantity Fitted	1
CMW5000-10	Fine Feed Shelf	Quantity Fitted	1
CMW5000-11	Front Tray Retainer Bracket	Quantity Fitted	1

CMW5000 PARTS



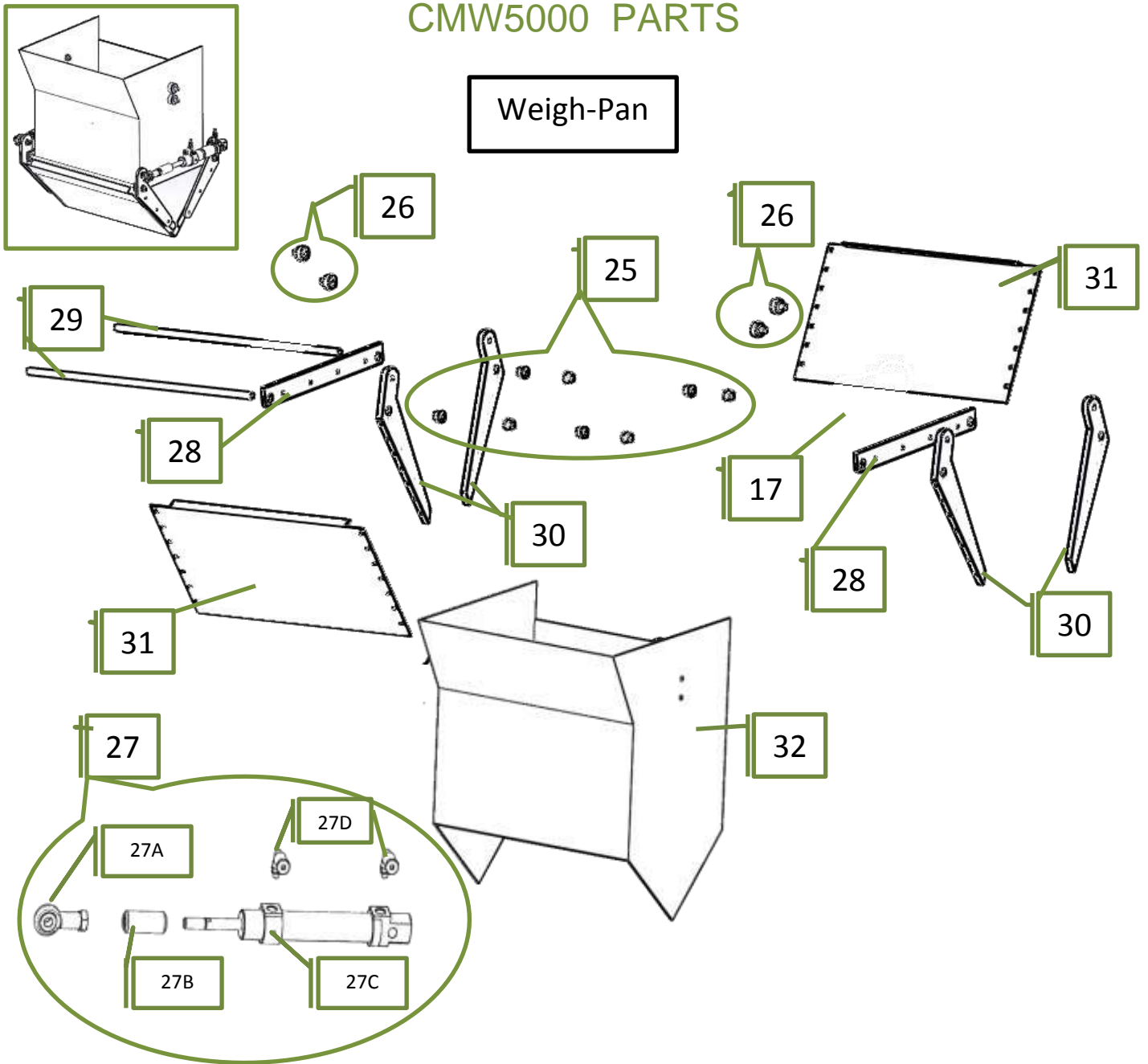
CMW5000-12	Bulk Gate Mounting Box	Quantity Fitted	1
CMW5000-13	Bulk Shaft Support Plate	Quantity Fitted	1
CMW5000-14	Bulk Shaft	Quantity Fitted	1
CMW5000-15	M5-4mm Speed Controller	Quantity Fitted	2
CMW5000-16	Rotary Actuator	Quantity Fitted	1
CMW5000-17	Bulk Gate	Quantity Fitted	1
CMW5000-18	Bulk Gate Rubber Clamp Plate	Quantity Fitted	1
CMW5000-19	Bulk Gate Rubber	Quantity Fitted	1

CMW5000 PARTS



CMW5000-15	M5-4mm Speed Controller	Quantity Fitted	2
CMW5000-16	Rotary Actuator	Quantity Fitted	1
CMW5000-20	Fine Shaft	Quantity Fitted	2
CMW5000-21	Fine Trapbox	Quantity Fitted	1
CMW5000-22	Fine Gate	Quantity Fitted	1
CMW5000-23	Fine Gate Rubber	Quantity Fitted	1
CMW5000-24	Fine Gate Rubber Clamp Plate	Quantity Fitted	1

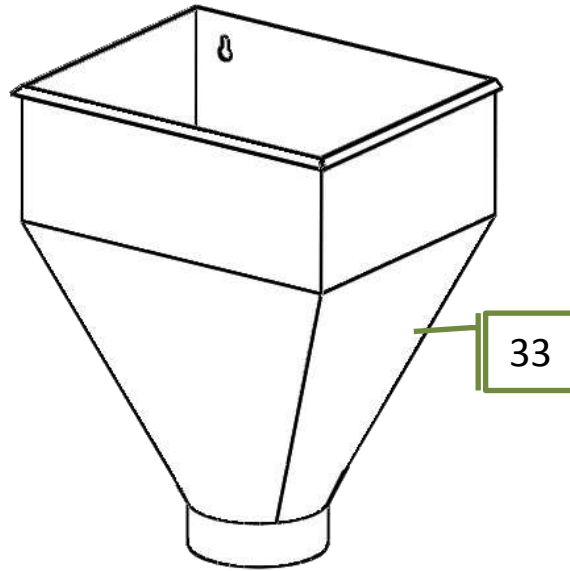
CMW5000 PARTS



CMW5000-25	Flanged Bush	Quantity Fitted	8
CMW5000-26	Weighpan Spacer	Quantity Fitted	4
CMW5000-27	Weighpan Cylinder Assembly	Quantity Fitted	2
CMW5000-27A	Rod End	Quantity Fitted	2
CMW5000-27B	Cylinder Extension	Quantity Fitted	2
CMW5000-27C	Weighpan Cylinder	Quantity Fitted	2
CMW5000-27D	Swivel Elbow 1/8"-4mm	Quantity Fitted	4
CMW5000-28	Weighpan Sidebar	Quantity Fitted	2
CMW5000-29	Weighpan Spindle	Quantity Fitted	2
CMW5000-30	Weighpan Lid Bracket	Quantity Fitted	4
CMW5000-31	Weighpan Lid	Quantity Fitted	2
CMW5000-32	Weighpan Body	Quantity Fitted	1

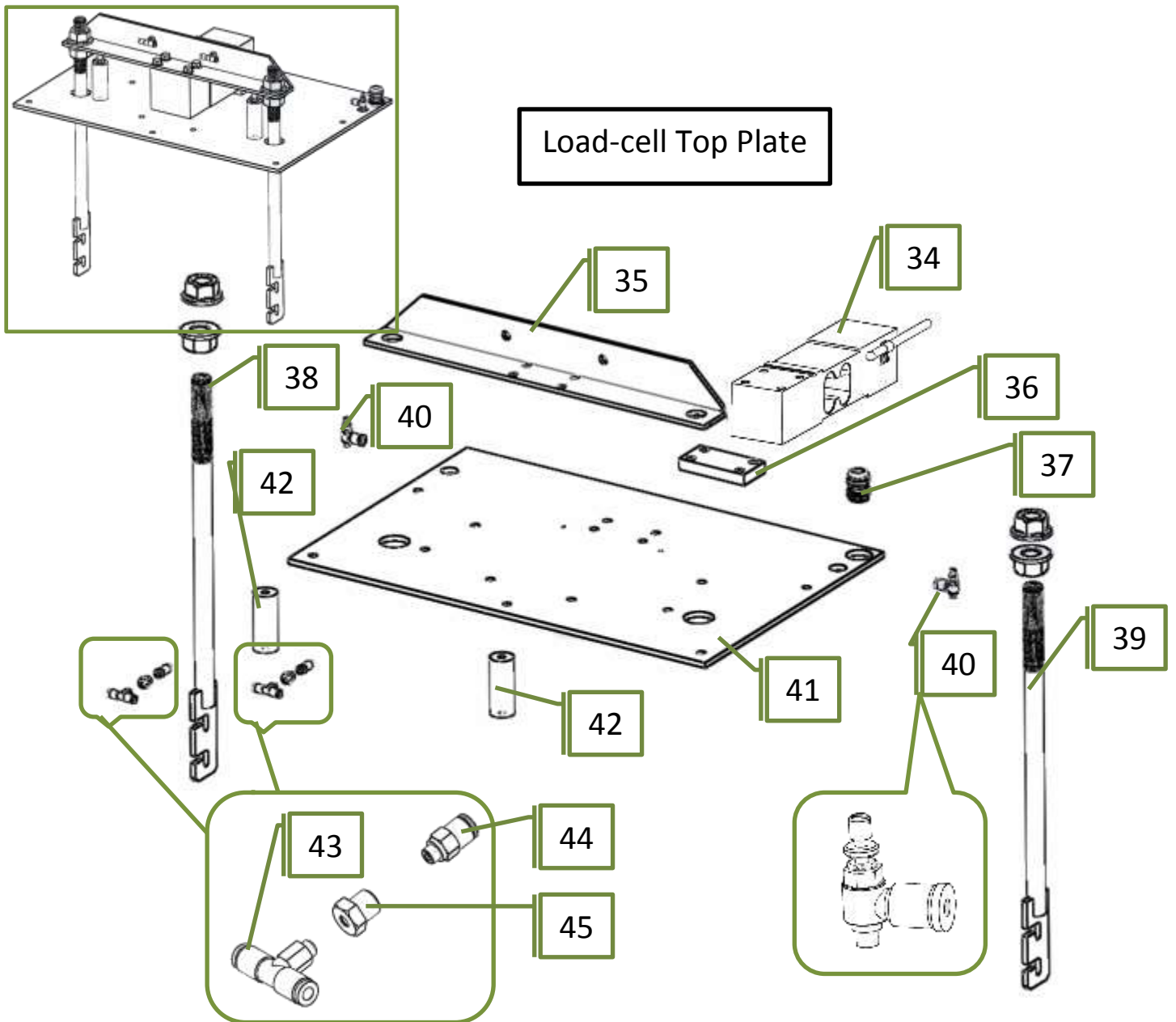
CMW5000 PARTS

Outlet Chute



CMW5000-33	Outlet Chute	Quantity Fitted	1
------------	--------------	-----------------	---

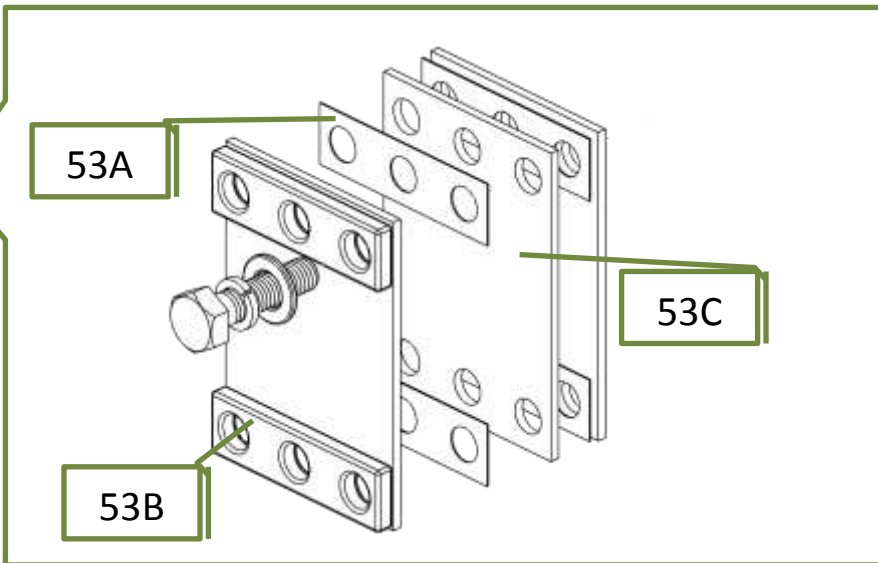
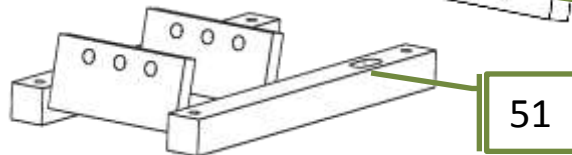
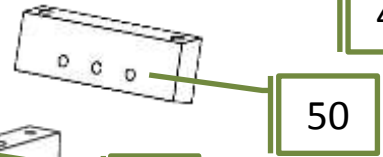
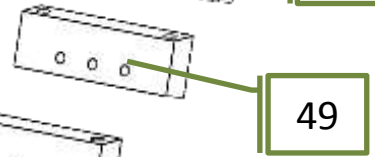
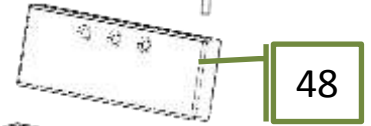
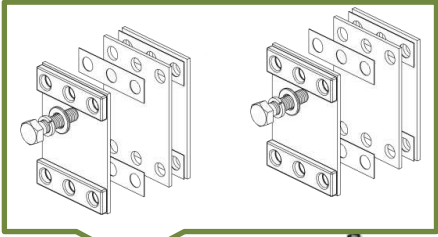
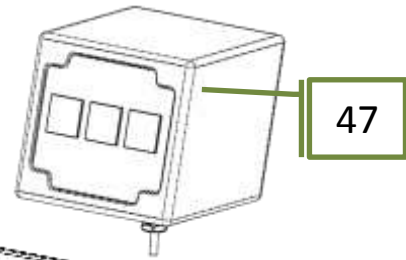
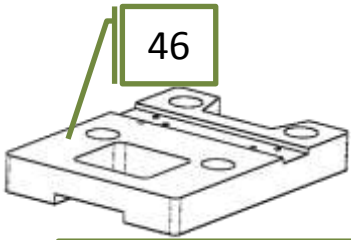
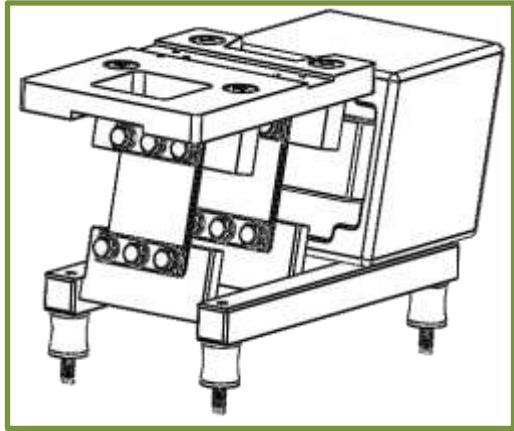
CMW5000 PARTS



CMW5000-34	50Kg Loadcell	Quantity Fitted	1
CMW5000-35	Loadcell Crossbar	Quantity Fitted	1
CMW5000-36	Loadcell Spacer	Quantity Fitted	1
CMW5000-37	M16 Cable Gland	Quantity Fitted	1
CMW5000-38	Weighpan Hanger Left	Quantity Fitted	1
CMW5000-39	Weighpan Hanger Right	Quantity Fitted	1
CMW5000-40	Speed Controller	Quantity Fitted	2
CMW5000-41	Top Plate	Quantity Fitted	1
CMW5000-42	Overload Pillar	Quantity Fitted	2
CMW5000-43	M5-4mm Tee	Quantity Fitted	2
CMW5000-44	M5-4mm Stud	Quantity Fitted	2
CMW5000-45	M10-M5 Adaptor	Quantity Fitted	2

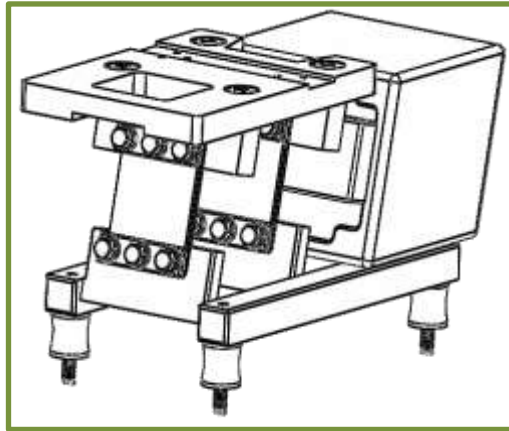
CMW5000 PARTS

Vibrator



CMW5000 PARTS

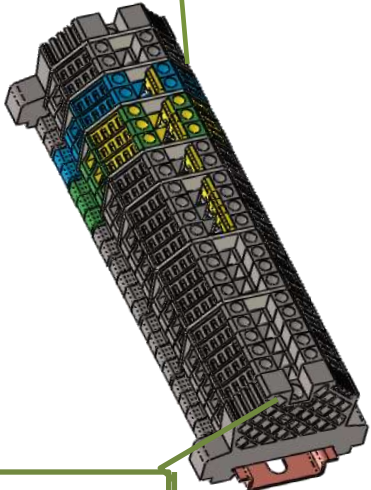
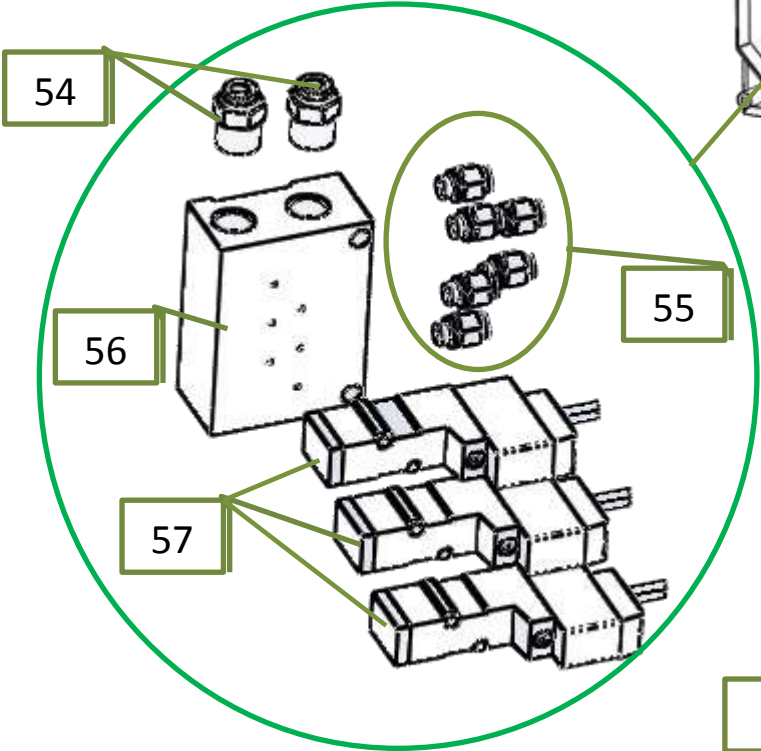
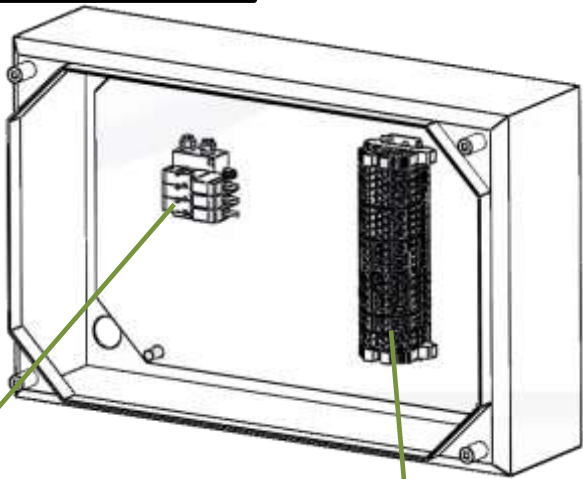
Vibrator



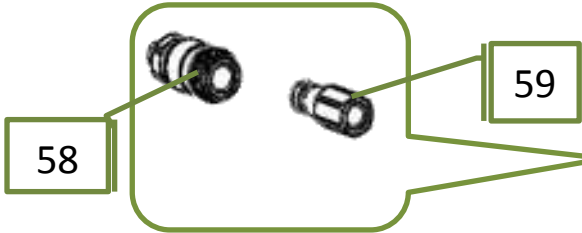
CMW5000-46	V1 Top Plate	Quantity Fitted	1
CMW5000-47	V1 Coil	Quantity Fitted	1
CMW5000-48	V1 Armature	Quantity Fitted	1
CMW5000-49	Rear Top Spring Mounting Block	Quantity Fitted	1
CMW5000-50	Front Top Spring Mounting Block	Quantity Fitted	1
CMW5000-51	V1 Base Frame	Quantity Fitted	1
CMW5000-52	V1 Anti-Vibration Mounting Rubber	Quantity Fitted	4
CMW5000-53	V1 Spring Assemblies	Quantity Fitted	4
CMW5000-53A	V1 Spring Spacer	Quantity Fitted	Varies
CMW5000-53B	V1 Spring Clamp Bar	Quantity Fitted	8
CMW5000-53C	V1 Spring	Quantity Fitted	Varies

CMW5000 PARTS

Rear Terminal Box



Various Terminals

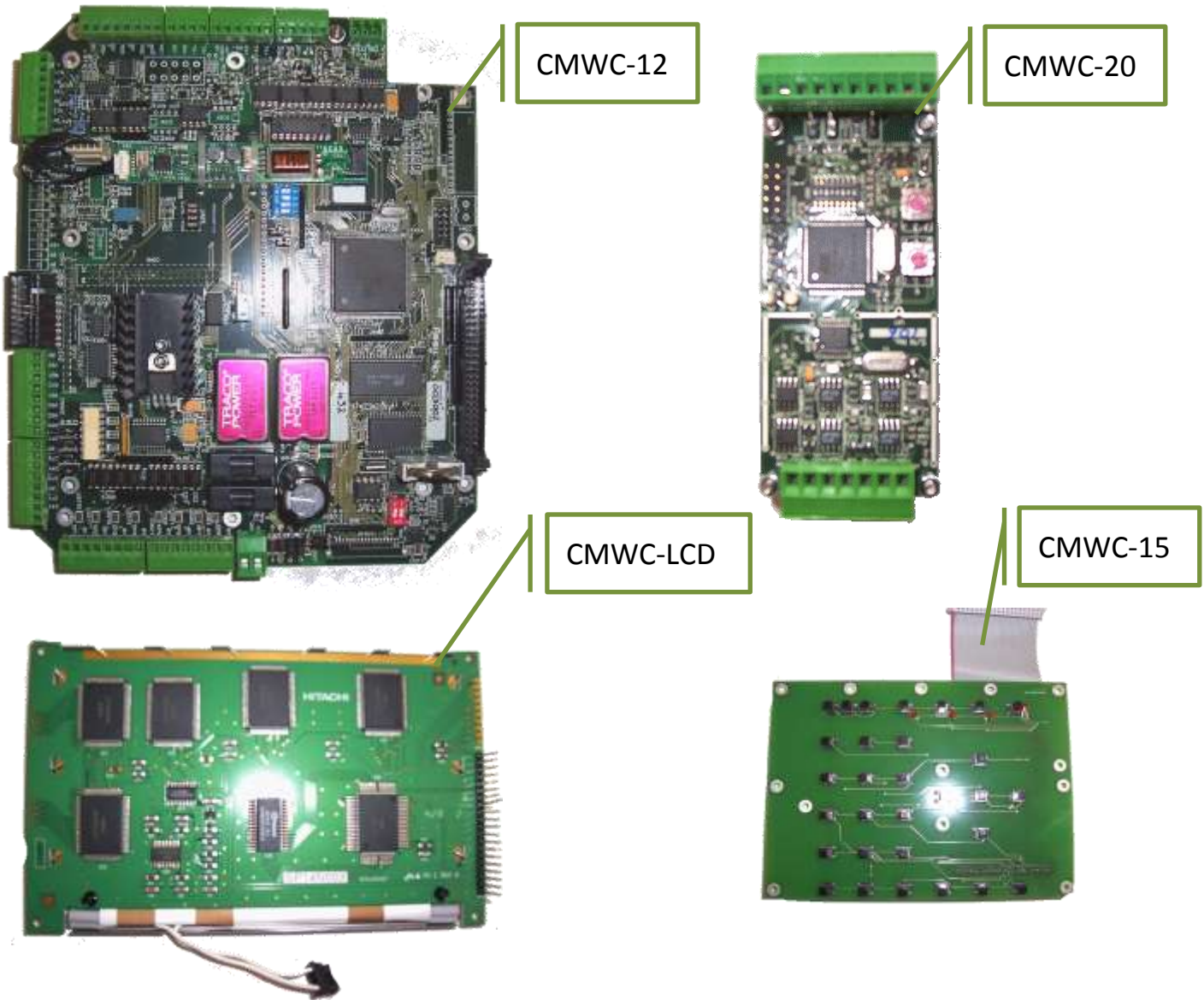


Quick Couple Fittings

CMW5000-54	STRAIGHT MALE ADAPTOR (4mm/M5)	Quantity Fitted	6
CMW5000-55	STRAIGHT MALE ADAPTOR (4mm/1/8")	Quantity Fitted	2
CMW5000-56	MANIFOLD (3 STATION)	Quantity Fitted	1
CMW5000-57	SOLENOID VALVE	Quantity Fitted	3
CMW5000-58	QUICK COUPLE SOCKET	Quantity Fitted	4
CMW5000-59	QUICK COUPLE PLUG	Quantity Fitted	4

CMW5000 PARTS

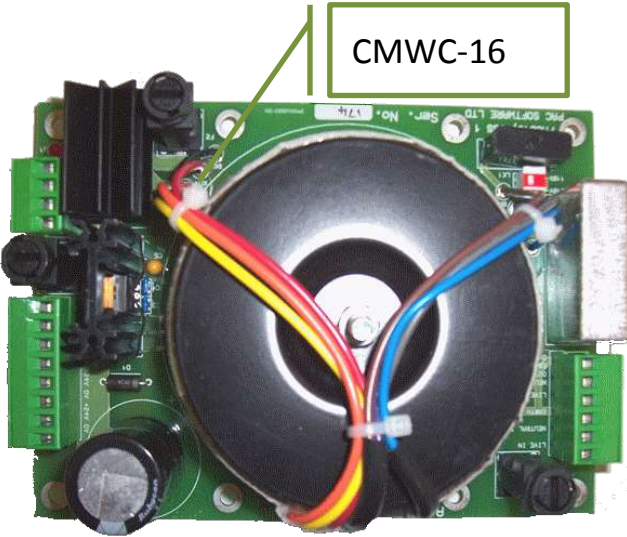
ELECTRONICS



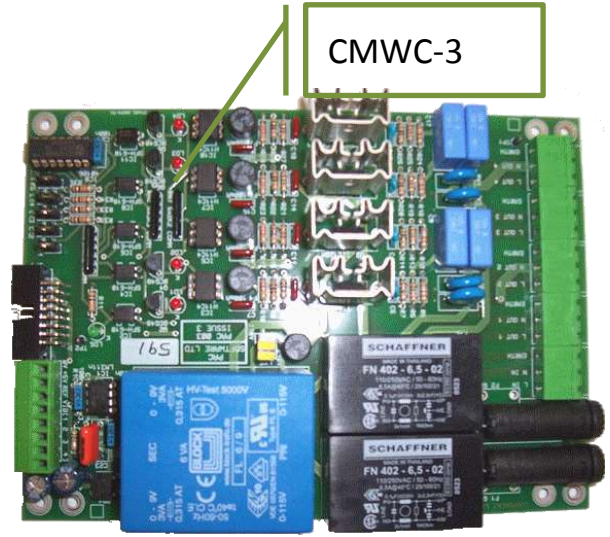
CMWC-12	Main I/O Board	Quantity Fitted	1
CMWC-20	Load-cell Digitiser	Quantity Fitted	Varies
CMWC-LCD	Back Light LCD	Quantity Fitted	1
CMWC-15	Key Pad & Connector	Quantity Fitted	1

CMW5000 PARTS

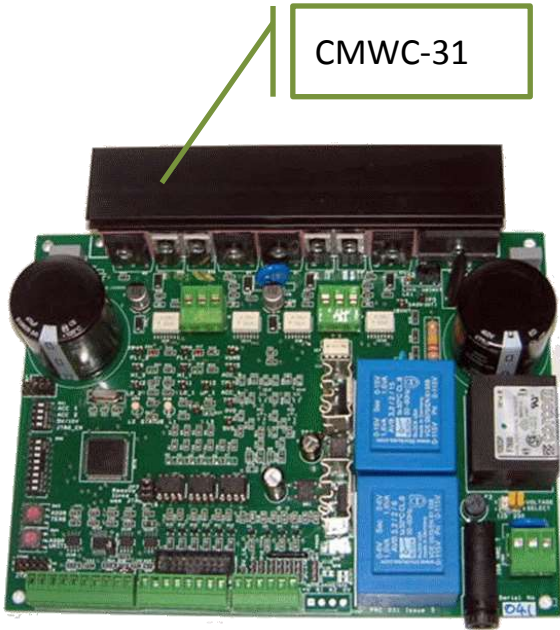
ELECTRONICS



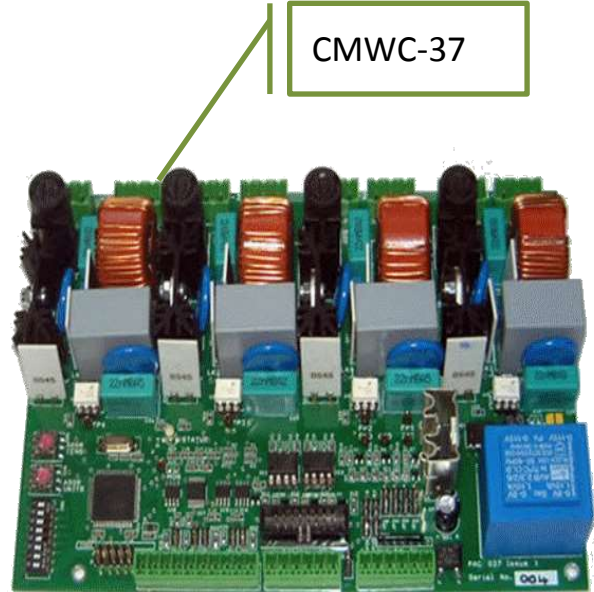
CMWC-16



CMWC-3



CMWC-31

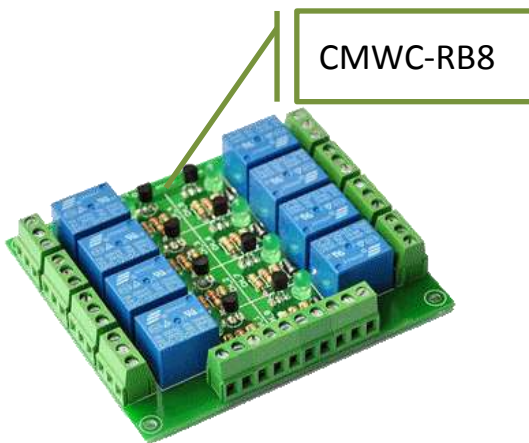
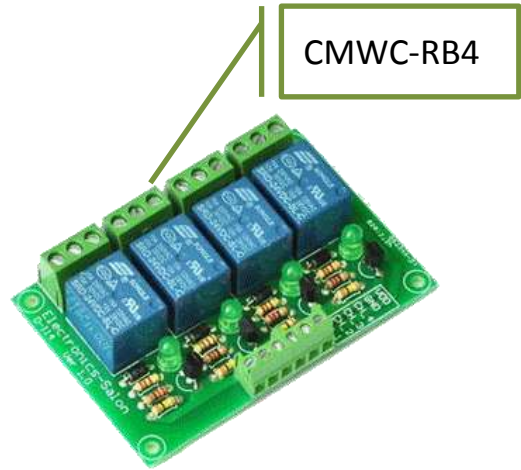
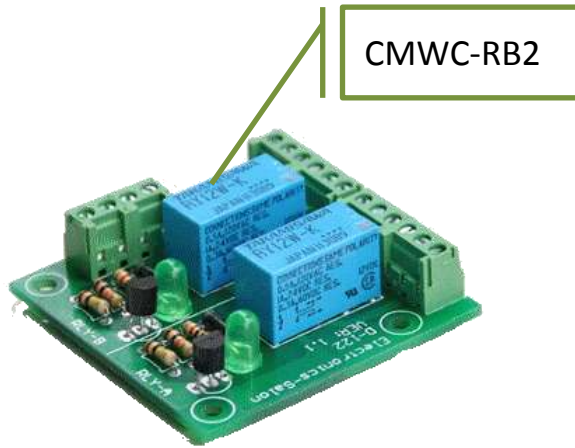


CMWC-37

CMWC-16	Power Supply Board	Quantity Fitted	Varies
CMWC-3	Four Channel Vibrator Board	Quantity Fitted	Varies
CMWC-31	Two Channel Variable Frequency Vibrator Board	Quantity Fitted	Varies
CMWC-37	Four Channel Hi-Load Vibrator Board	Quantity Fitted	Varies

CMW5000 PARTS

ELECTRONICS



CMWC-RB2	Two Channel Relay Board	Quantity Fitted	Varies
CMWC-RB4	Four Channel Relay Board	Quantity Fitted	Varies
CMWC-RB8	Eight Channel Relay Board	Quantity Fitted	Varies

CMW5000 PARTS

CMW 5000 RECOMMENDED SPARES

Item no.	Description	Qty.	
CMW5000-34	1252 LOADCELL 50KG	1	
CMW5000-40	SPEED CONTROLLER	1	
CMW5000-55	STRAIGHT MALE ADAPTOR (4mm/M5)	1	
CMW5000-27C	CYLINDER ST/ST	1	
CMW5000-16	ROTARY ACTUATOR	1	
CMW5000-57	SOLENOID VALVE	1	
CMW5000-5	UNDER-CENTER SERIES LATCH (ST/ST)	1	
CMW5000-7	LATCH KEEPER (ST/ST)	1	
CMW5000-25	FLANGED BUSH (OILITE)	1	
CMW5000-53C7	VIB SPRINGS V1 7 PLY	1	
CMW5000-53C9	VIB SPRINGS V1 9 PLY	1	
CMW5000-53C11	VIB SPRINGS V1 11 PLY	1	
CMW5000-53A	M8 VIB SPRING SPACER	1	
CMW5000-58	QUICK COUPLE SKT (BULK / FINE / WEIGHPAN)	1	
CMW5000-59	QUICK COUPLE PLUG (BULK / FINE / WEIGHPAN)	1	
CMW5000-47	V1 COIL	1	
CMW5000-27A	CYLINDER ROD END	1	

ELECTRONICS COMMON

CMWC-20	PAC020 LOADCELL DIGITIZER	1	
CMWC-16	PAC016-160 24V P/SUPPLY 160VA	1	
CMWC-15	PAC015 KEYPAD & CONNECTORS	1	
CMWC-LCD	PAC LCD	1	

ELECTRONICS SINGLE / TWIN

CMWC-12	PAC012-3002 LCD BOARD	1	
---------	-----------------------	---	--

ELECTRONICS TRIPLE / QUAD

CMWC-11	PAC011- 24XI/O CONTROLLER BOARD	1	
CMWC-12A	PAC012-3008 REMOTE LCD BOARD	1	

ELECTRONICS OPTIONS

CMWC-3	PAC003 4 CHANNEL VIBRATOR DRIVE	1	
CMWC-37	PAC037 4 CHANNEL VIBRATOR DRIVE	1	
CMWC-31	PAC031 2 CHANNEL FREQUENCY VIBRATOR DRIVE	1	
CMWC-RB2	RLB2 2 CHANNEL RELAY BOARD	1	
CMWC-RB4	RLB4 4 CHANNEL RELAY BOARD	1	
CMWC-RB8	RLB8 8 CHANNEL RELAY BOARD	1	