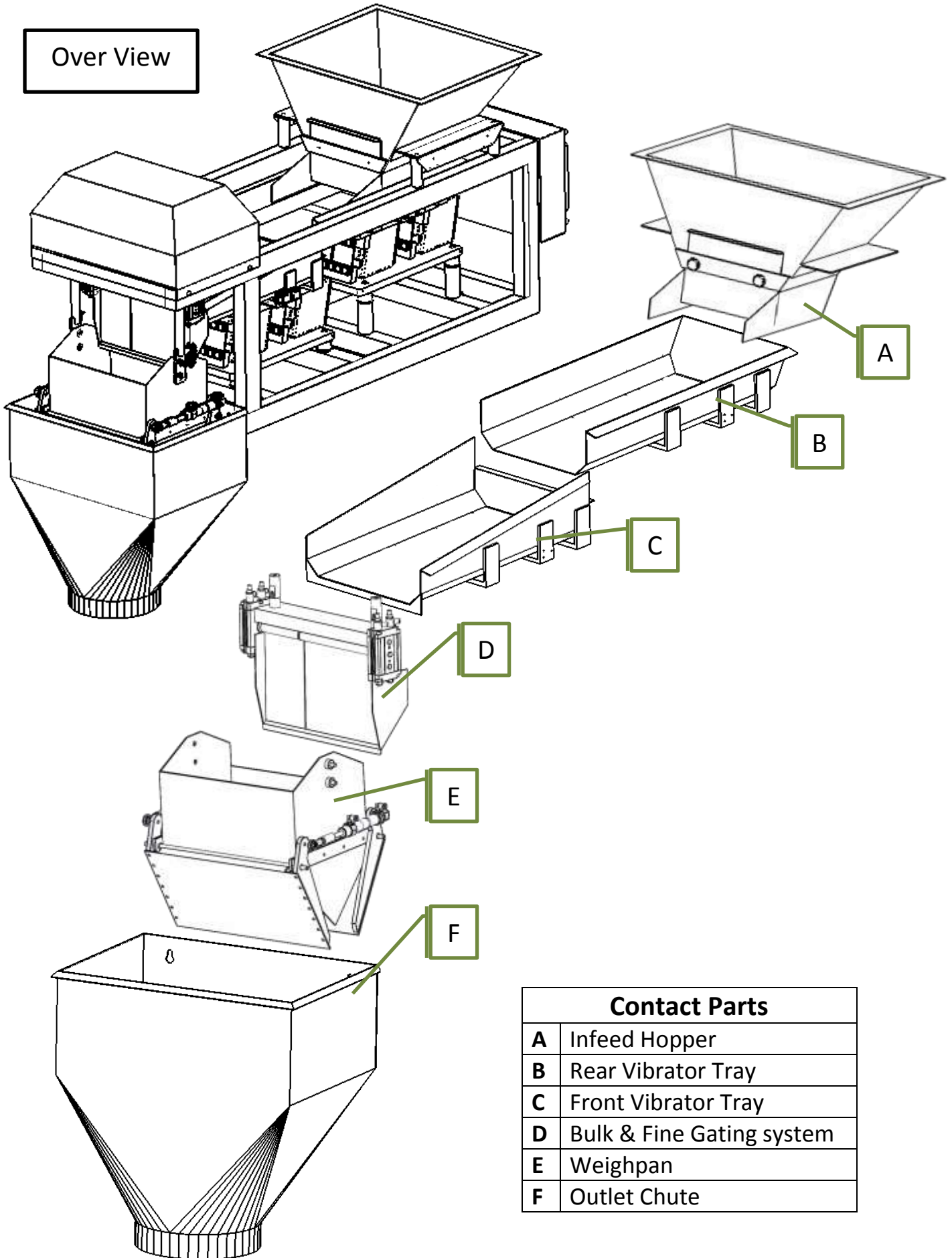


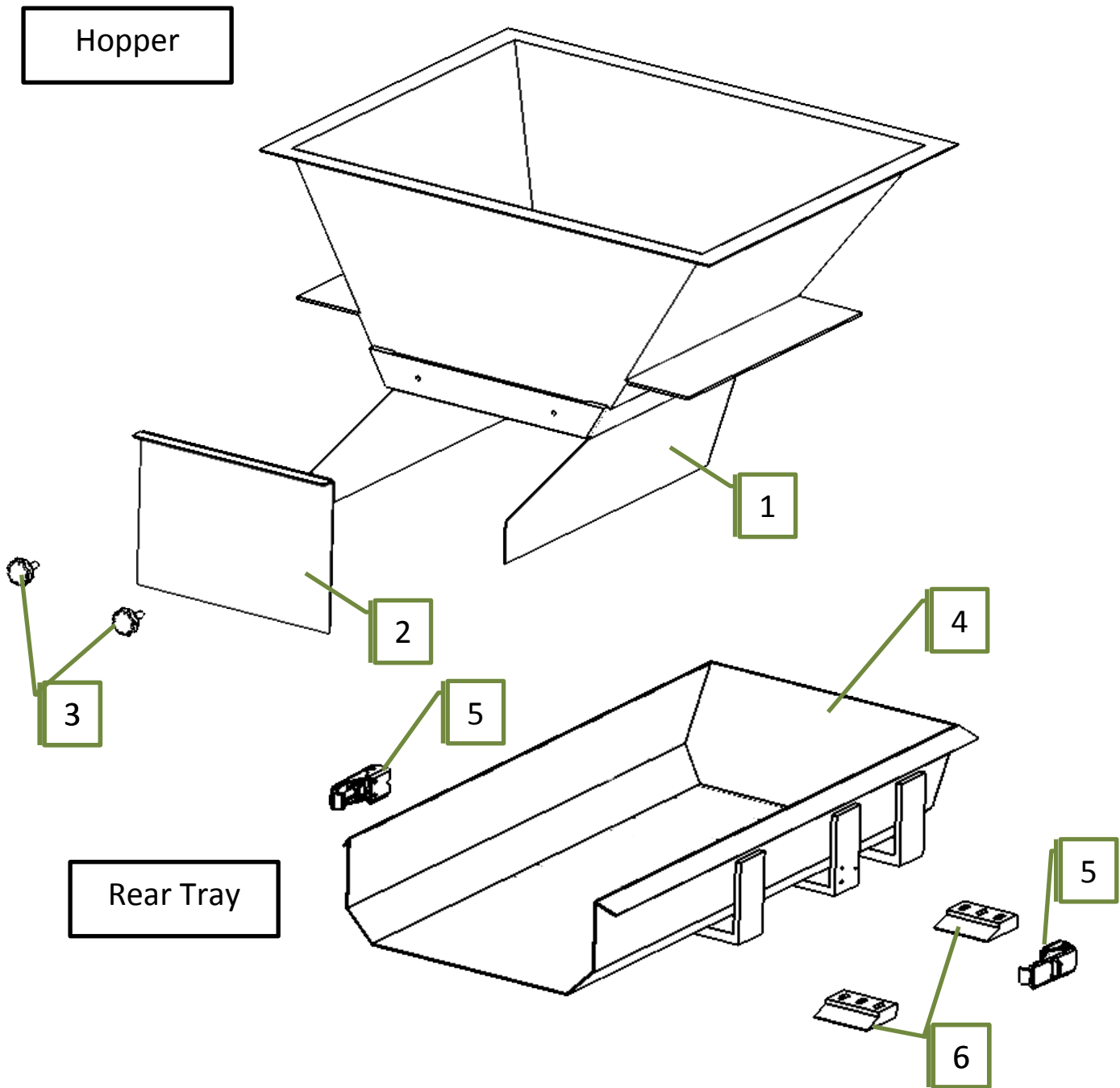
# CMW6000 PARTS

Over View



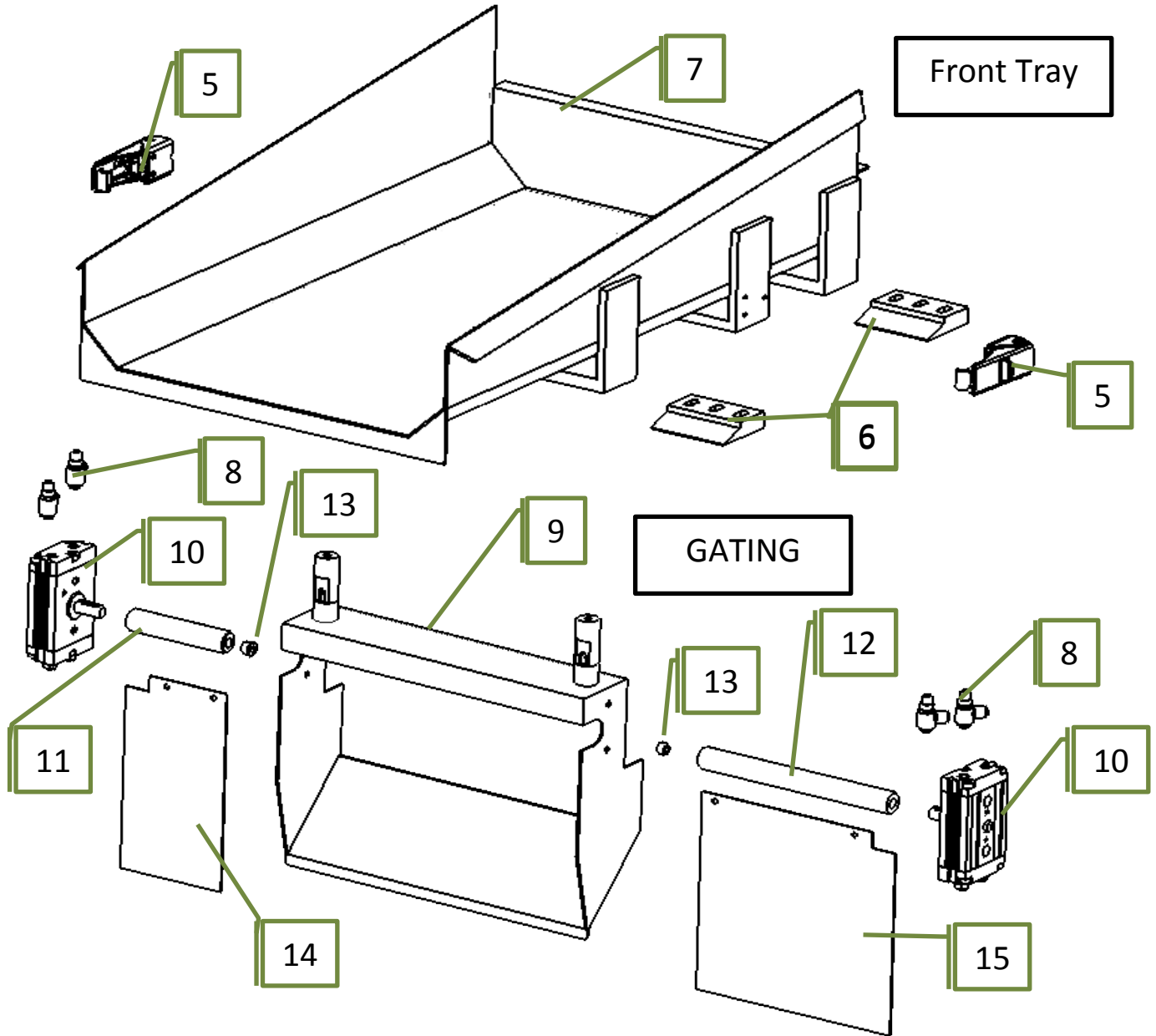
| Contact Parts |                           |
|---------------|---------------------------|
| A             | Infeed Hopper             |
| B             | Rear Vibrator Tray        |
| C             | Front Vibrator Tray       |
| D             | Bulk & Fine Gating system |
| E             | Weighpan                  |
| F             | Outlet Chute              |

# CMW6000 PARTS



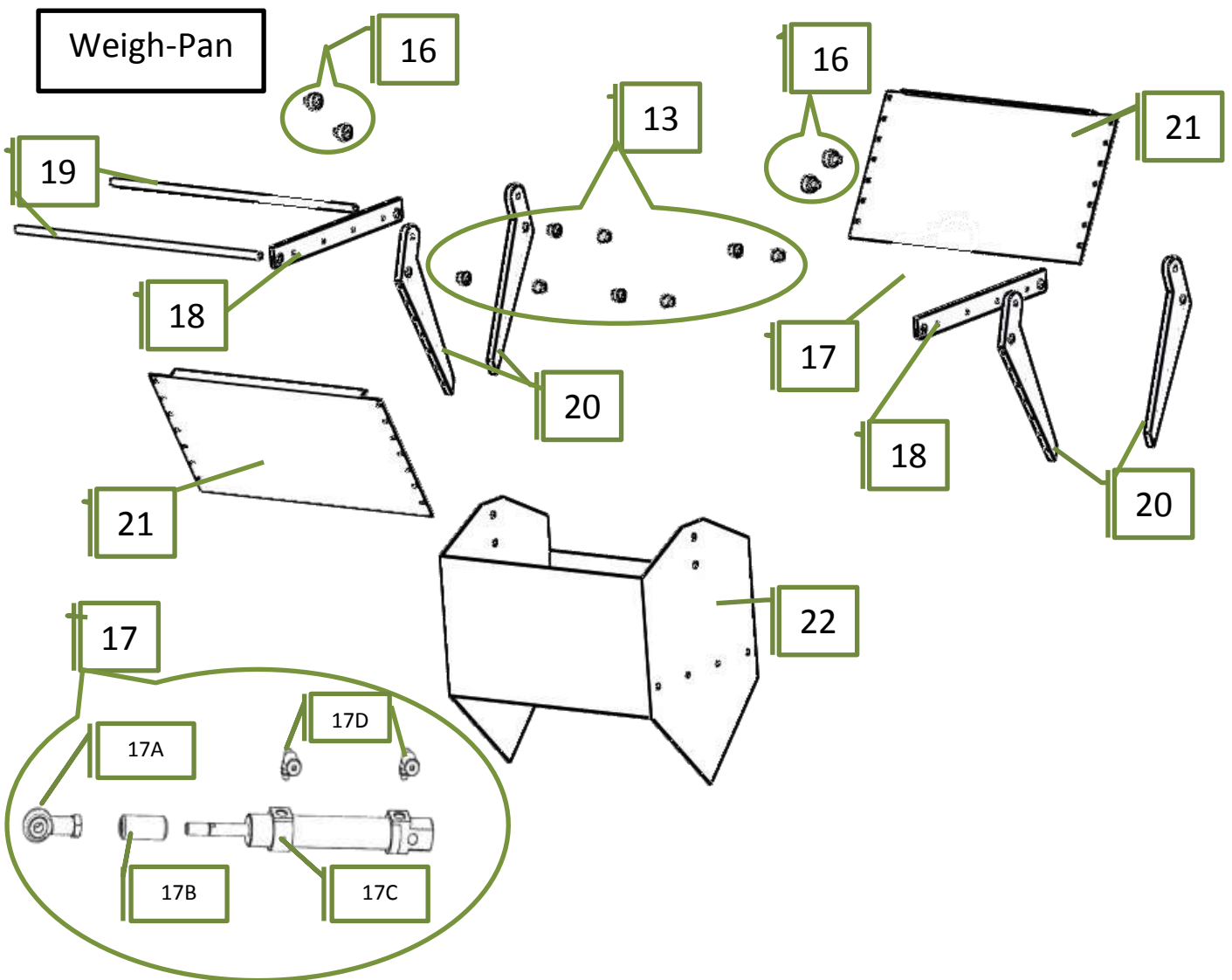
|           |                      |                 |   |
|-----------|----------------------|-----------------|---|
| CMW6000-1 | Infeed Hopper        | Quantity Fitted | 1 |
| CMW6000-2 | Hopper Slide gate    | Quantity Fitted | 1 |
| CMW6000-3 | M6 Hand Wheel        | Quantity Fitted | 2 |
| CMW6000-4 | Rear Vibrator Tray   | Quantity Fitted | 1 |
| CMW6000-5 | Tray Retaining Latch | Quantity Fitted | 2 |
| CMW6000-6 | Tray Locating Wedge  | Quantity Fitted | 2 |

# CMW6000 PARTS



|            |                          |                 |   |
|------------|--------------------------|-----------------|---|
| CMW6000-5  | Tray Retaining Latch     | Quantity Fitted | 2 |
| CMW6000-6  | Tray Locating Wedge      | Quantity Fitted | 2 |
| CMW6000-7  | Front Vibrator Tray      | Quantity Fitted | 1 |
| CMW6000-8  | M5-4mm Speed Controller  | Quantity Fitted | 4 |
| CMW6000-9  | Bulk / Fine Mounting Box | Quantity Fitted | 1 |
| CMW6000-10 | Rotary Actuator          | Quantity Fitted | 2 |
| CMW6000-11 | Fine Shaft               | Quantity Fitted | 1 |
| CMW6000-12 | Bulk Shaft               | Quantity Fitted | 1 |
| CMW6000-13 | Flanged Bush             | Quantity Fitted | 2 |
| CMW6000-14 | Fine Gate                | Quantity Fitted | 1 |
| CMW6000-15 | Bulk Gate                | Quantity Fitted | 1 |

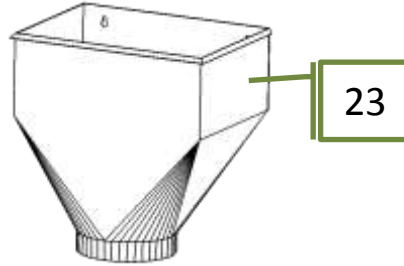
# CMW6000 PARTS



|             |                            |                 |   |
|-------------|----------------------------|-----------------|---|
| CMW6000-13  | Flanged Bush               | Quantity Fitted | 8 |
| CMW6000-16  | Weighpan Spacer            | Quantity Fitted | 4 |
| CMW6000-17  | Weighpan Cylinder Assembly | Quantity Fitted | 2 |
| CMW6000-17A | Rod End                    | Quantity Fitted | 2 |
| CMW6000-17B | Cylinder Extension         | Quantity Fitted | 2 |
| CMW6000-17C | Weighpan Cylinder          | Quantity Fitted | 2 |
| CMW6000-17D | Swivel Elbow 1/8"-4mm      | Quantity Fitted | 4 |
| CMW6000-18  | Weighpan Sidebar           | Quantity Fitted | 2 |
| CMW6000-19  | Weighpan Spindle           | Quantity Fitted | 2 |
| CMW6000-20  | Weighpan Lid Bracket       | Quantity Fitted | 4 |
| CMW6000-21  | Weighpan Lid               | Quantity Fitted | 2 |
| CMW6000-22  | Weighpan Body              | Quantity Fitted | 1 |

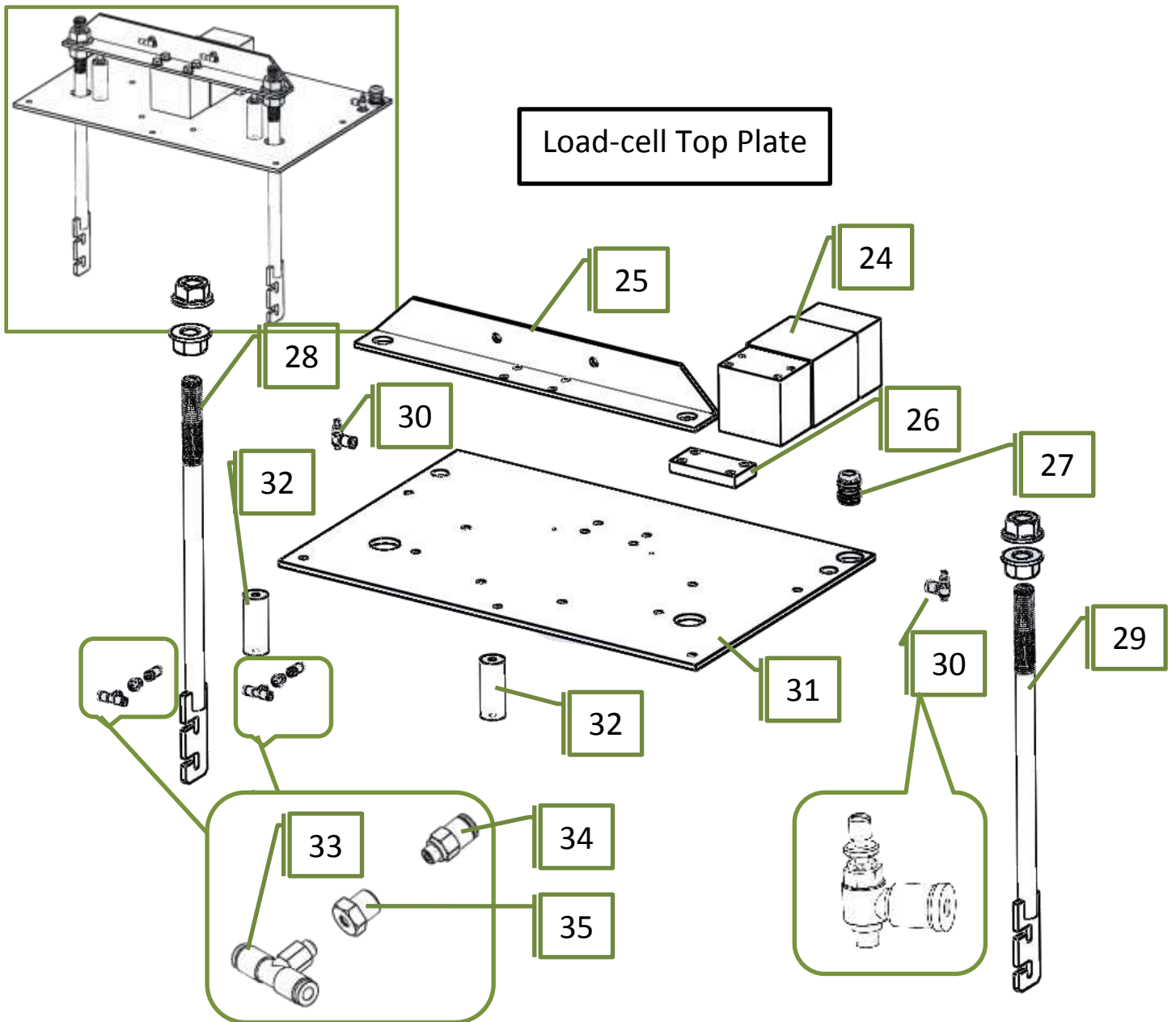
# CMW6000 PARTS

Outlet Chute



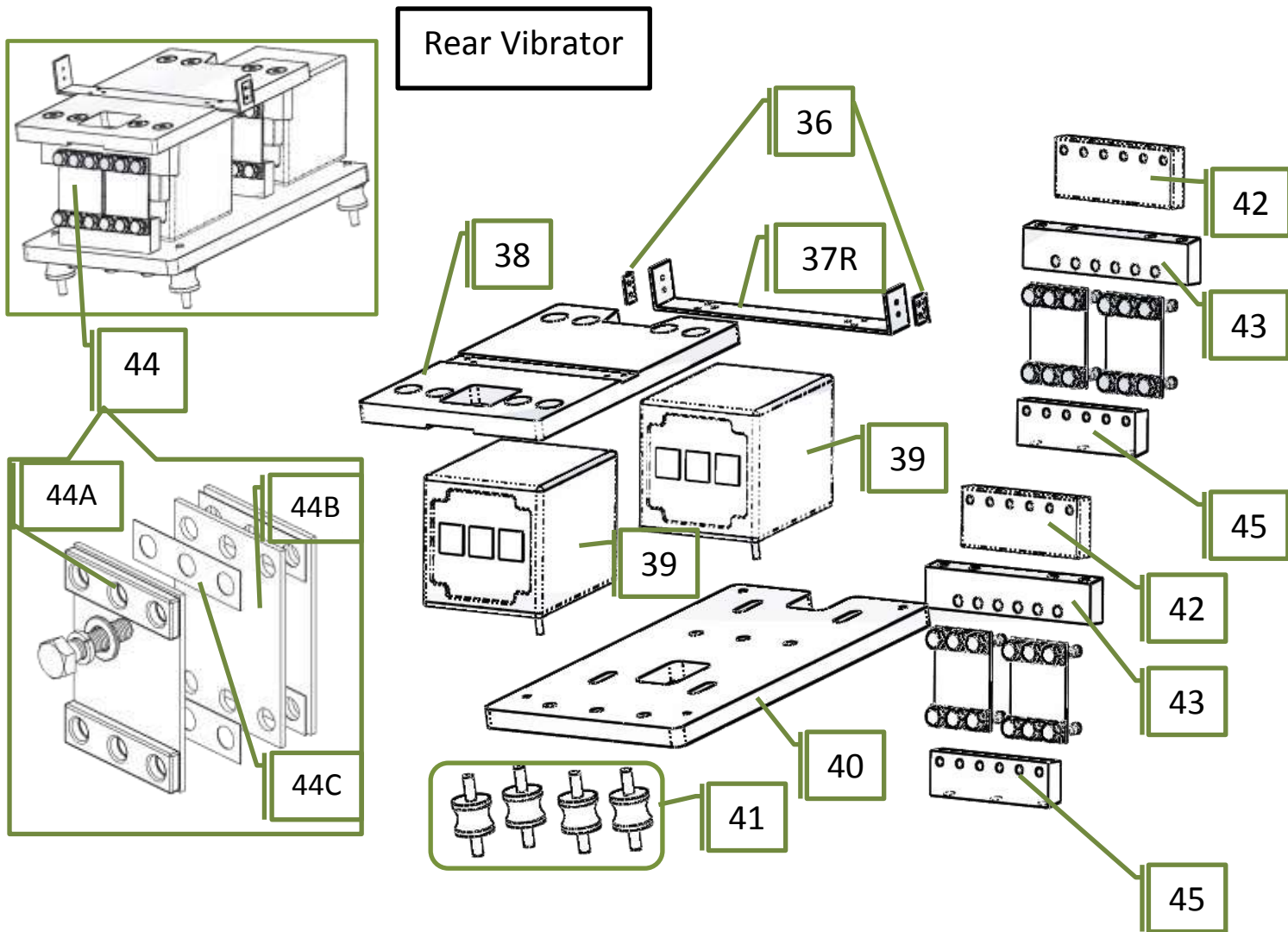
|            |              |                 |   |
|------------|--------------|-----------------|---|
| CMW6000-23 | Outlet Chute | Quantity Fitted | 1 |
|------------|--------------|-----------------|---|

# CMW6000 PARTS



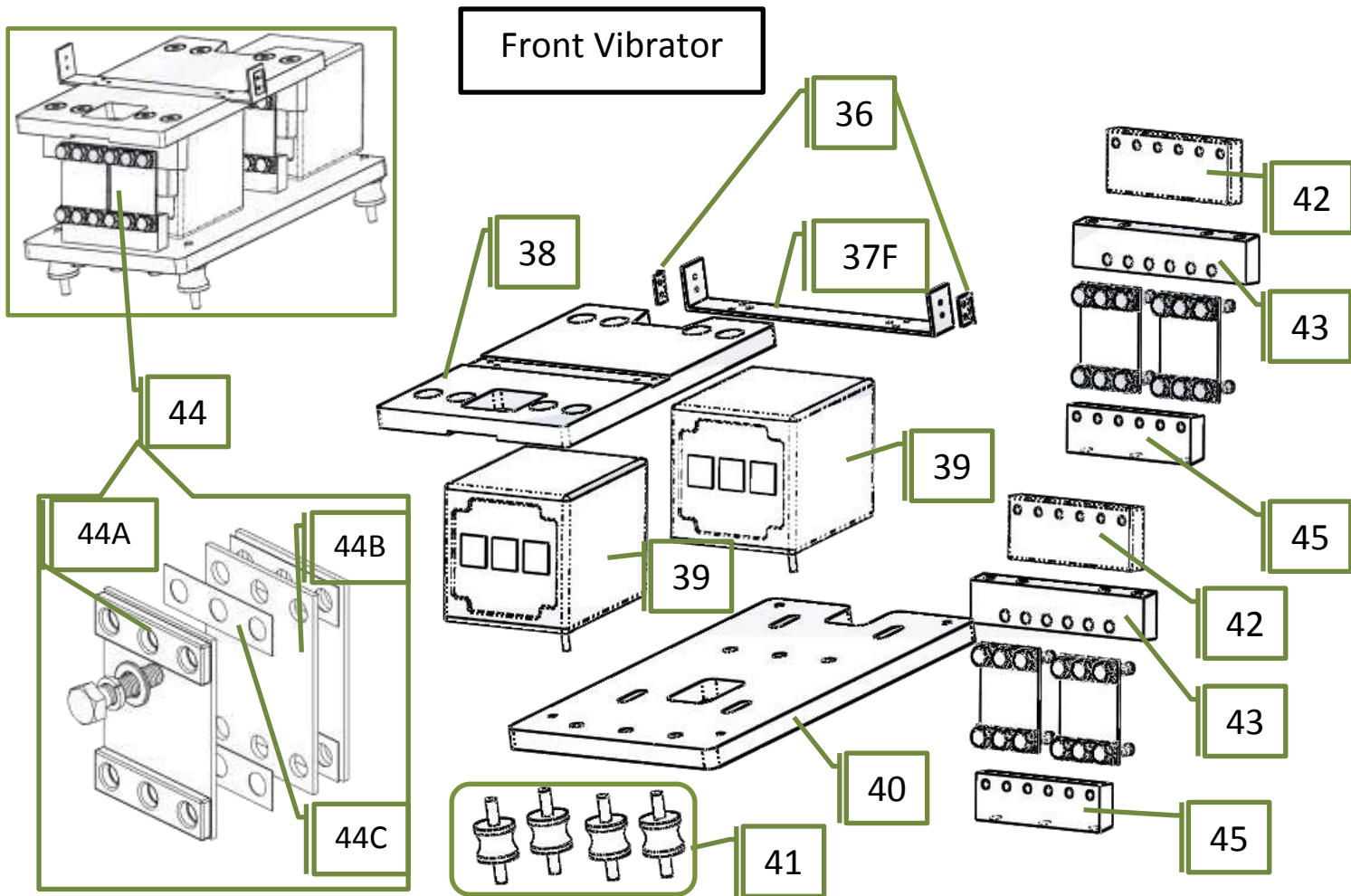
|            |                       |                 |   |
|------------|-----------------------|-----------------|---|
| CMW6000-24 | 50Kg Loadcell         | Quantity Fitted | 2 |
| CMW6000-25 | Loadcell Crossbar     | Quantity Fitted | 2 |
| CMW6000-26 | Loadcell Spacer       | Quantity Fitted | 1 |
| CMW6000-27 | M16 Cable Gland       | Quantity Fitted | 4 |
| CMW6000-28 | Weighpan Hanger Left  | Quantity Fitted | 1 |
| CMW6000-29 | Weighpan Hanger Right | Quantity Fitted | 2 |
| CMW6000-30 | Speed Controller      | Quantity Fitted | 1 |
| CMW6000-31 | Top Plate             | Quantity Fitted | 1 |
| CMW6000-32 | Overload Pillar       | Quantity Fitted | 2 |
| CMW6000-33 | M5-4mm Tee            | Quantity Fitted | 2 |
| CMW6000-34 | M5-4mm Stud           | Quantity Fitted | 2 |
| CMW6000-35 | M10-M5 Adaptor        | Quantity Fitted | 2 |

# CMW6000 PARTS



|             |                                |                 |        |
|-------------|--------------------------------|-----------------|--------|
| CMW6000-36  | Tray Latch Retainer            | Quantity Fitted | 2      |
| CMW6000-37R | Retainer Mounting Strap (Rear) | Quantity Fitted | 1      |
| CMW6000-38  | V2 Vibrator Top Plate          | Quantity Fitted | 1      |
| CMW6000-39  | V1 Vibrator Coil               | Quantity Fitted | 2      |
| CMW6000-40  | V2 Vibrator Base Plate         | Quantity Fitted | 1      |
| CMW6000-41  | Anti-Vibration Rubber          | Quantity Fitted | 4      |
| CMW6000-42  | V2 Armature                    | Quantity Fitted | 2      |
| CMW6000-43  | Upper Spring Mounting Block    | Quantity Fitted | 2      |
| CMW6000-44  | Spring Pack Assembly           | Quantity Fitted | 4      |
| CMW6000-44A | V2 Spring Clamp Bar            | Quantity Fitted | 8      |
| CMW6000-44B | V2 Spring                      | Quantity Fitted | Varies |
| CMW6000-44C | V2 Spring Spacer               | Quantity Fitted | Varies |
| CMW6000-45  | Lower Spring Mounting Block    | Quantity Fitted | 2      |

# CMW6000 PARTS

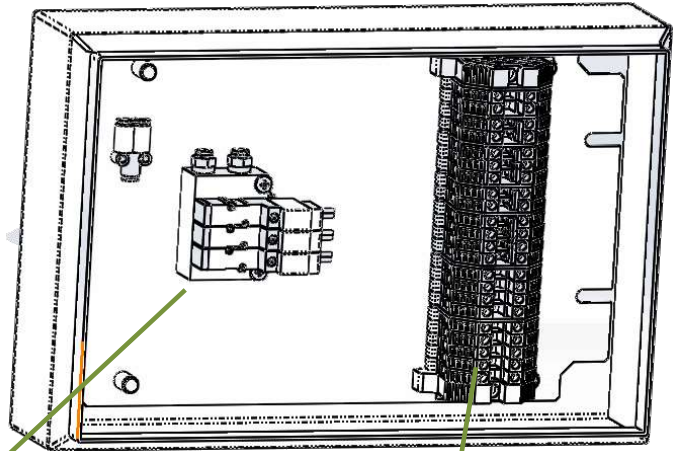


|             |                             |                 |        |
|-------------|-----------------------------|-----------------|--------|
| CMW6000-36  | Tray Latch Retainer         | Quantity Fitted | 2      |
| CMW6000-37F | Retainer Mounting Strap     | Quantity Fitted | 1      |
| CMW6000-38  | V2 Vibrator Top Plate       | Quantity Fitted | 1      |
| CMW6000-39  | V1 Vibrator Coil            | Quantity Fitted | 2      |
| CMW6000-40  | V2 Vibrator Base Plate      | Quantity Fitted | 1      |
| CMW6000-41  | Anti-Vibration Rubber       | Quantity Fitted | 4      |
| CMW6000-42  | V2 Armature                 | Quantity Fitted | 2      |
| CMW6000-43  | Upper Spring Mounting Block | Quantity Fitted | 2      |
| CMW6000-44  | Spring Pack Assembly        | Quantity Fitted | 4      |
| CMW6000-44A | V2 Spring Clamp Bar         | Quantity Fitted | 8      |
| CMW6000-44B | V2 Spring                   | Quantity Fitted | Varies |
| CMW6000-44C | V2 Spring Spacer            | Quantity Fitted | Varies |
| CMW6000-45  | Lower Spring Mounting Block | Quantity Fitted | 2      |

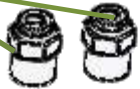


# CMW6000 PARTS

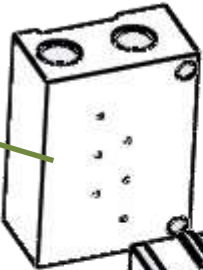
Rear Terminal Box



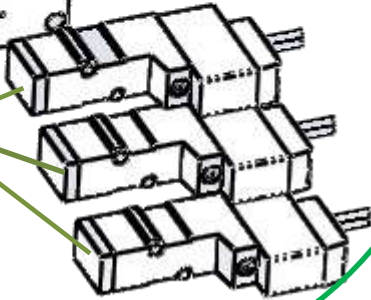
47



48



49



46

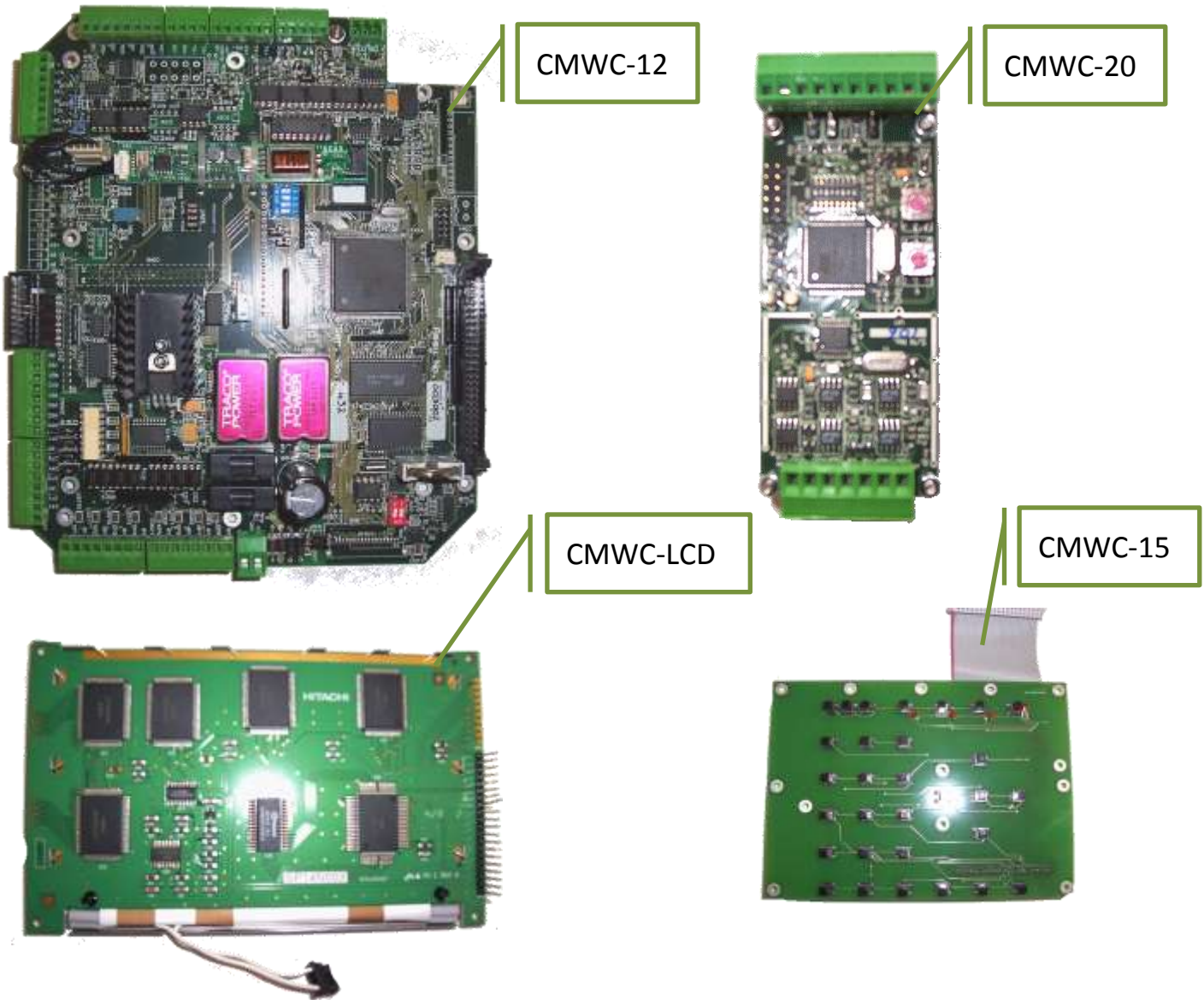


Various Terminals

|            |   |                 |   |
|------------|---|-----------------|---|
| CMW6000-46 | STRAIGHT MALE ADAPTOR<br>(4mm/M5)           | Quantity Fitted | 6 |
| CMW6000-47 | STRAIGHT MALE ADAPTOR<br>(4mm/1/8")         | Quantity Fitted | 2 |
| CMW6000-48 | MANIFOLD (3 STATION)<br>SS5YJ3-S41-03-M5F-Q | Quantity Fitted | 1 |
| CMW6000-49 | SOLENOID VALVE<br>(SYJ3140-5G)              | Quantity Fitted | 3 |

# CMW6000 PARTS

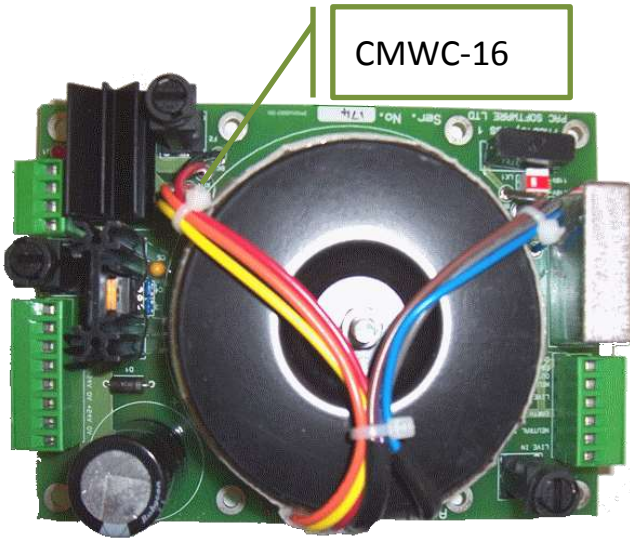
## ELECTRONICS



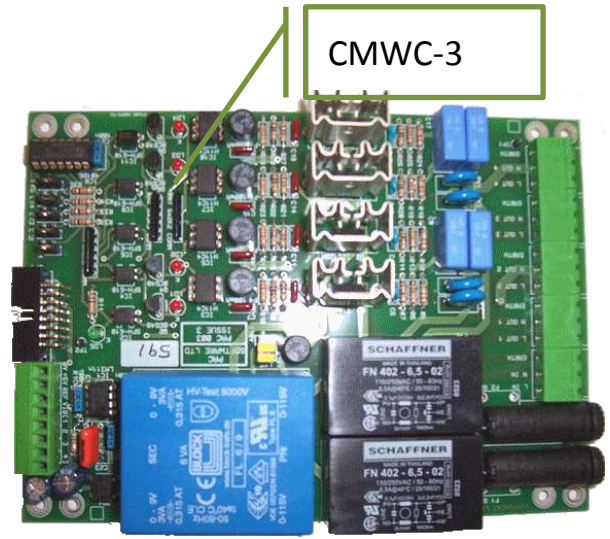
|          |                     |                 |        |
|----------|---------------------|-----------------|--------|
| CMWC-12  | Main I/O Board      | Quantity Fitted | 1      |
| CMWC-20  | Load-cell Digitiser | Quantity Fitted | Varies |
| CMWC-LCD | Back Light LCD      | Quantity Fitted | 1      |
| CMWC-15  | Key Pad & Connector | Quantity Fitted | 1      |

# CMW6000 PARTS

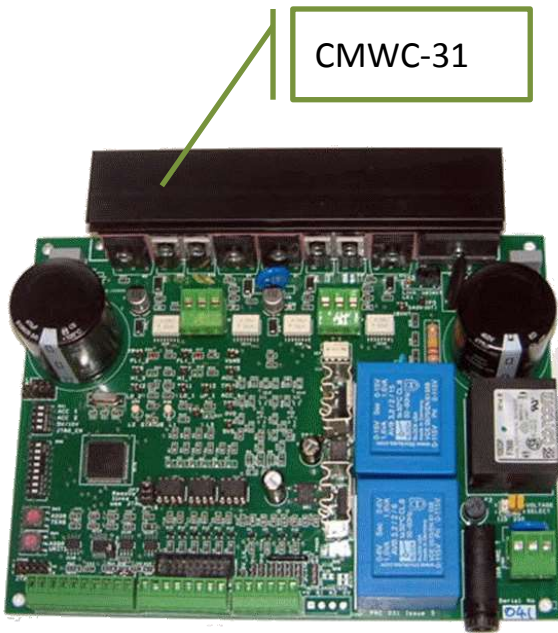
## ELECTRONICS



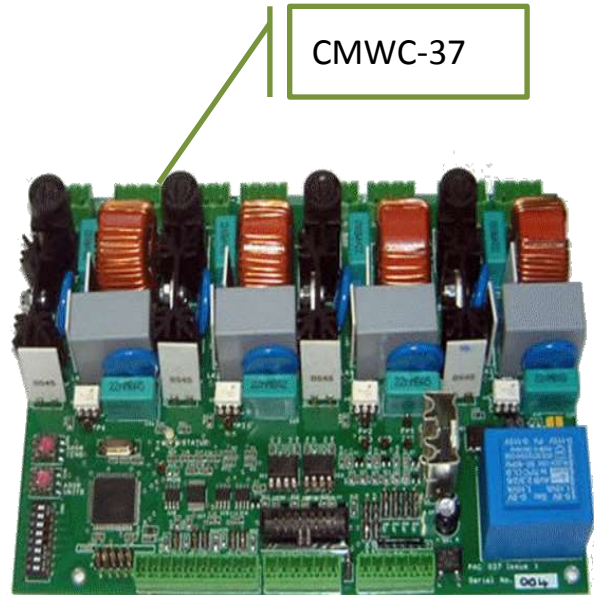
CMWC-16



CMWC-3



CMWC-31

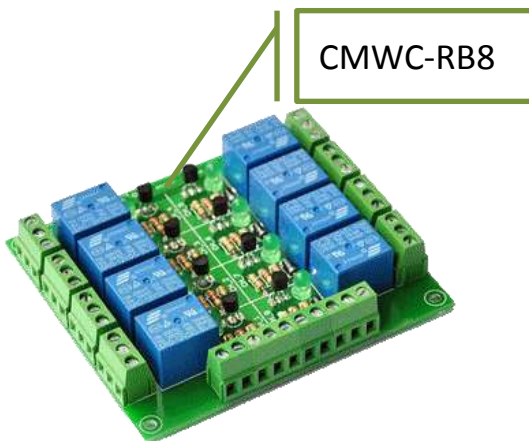
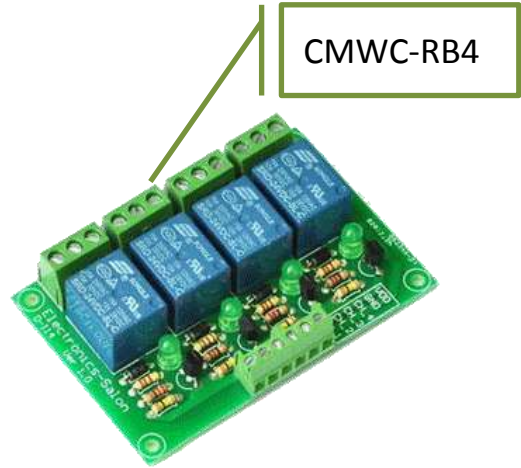
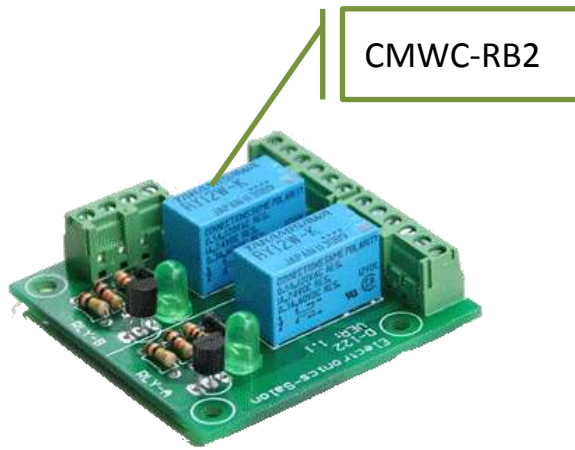


CMWC-37

|         |   |                 |        |
|---------|---|-----------------|--------|
| CMWC-16 | Power Supply Board                            | Quantity Fitted | Varies |
| CMWC-3  | Four Channel Vibrator Board                   | Quantity Fitted | Varies |
| CMWC-31 | Two Channel Variable Frequency Vibrator Board | Quantity Fitted | Varies |
| CMWC-37 | Four Channel Hi-Load Vibrator Board           | Quantity Fitted | Varies |

# CMW6000 PARTS

## ELECTRONICS



|          |                           |                 |        |
|----------|---------------------------|-----------------|--------|
| CMWC-RB2 | Two Channel Relay Board   | Quantity Fitted | Varies |
| CMWC-RB4 | Four Channel Relay Board  | Quantity Fitted | Varies |
| CMWC-RB8 | Eight Channel Relay Board | Quantity Fitted | Varies |

# CMW6000 PARTS

## CMW 6000 RECOMMENDED SPARES

| Item no.      | Description                                | Qty. |
|---------------|--|------|
| CMW6000-24    | 1250 LOADCELL 50KG ENCAP                   | 1    |
| CMW6000-8     | SPEED CONTROLLER AS2201F-01-04             | 1    |
| CMW6000-46    | STRAIGHT MALE ADAPTOR (4mm/M5)             | 1    |
| CMW6000-17C   | W1800200050 CYLINDER 20/50 ST/ST           | 1    |
| CMW6000-10    | ROTARY ACTUATOR CRQ2BSP20-90-XC12          | 1    |
| CMW6000-49    | SOLENOID VALVE (SYJ3140-5G)                | 1    |
| CMW6000-5     | UNDER-CENTER SERIES LATCH (ST/ST)          | 1    |
| CMW6000-36    | LATCH KEEPER (ST/ST)                       | 1    |
| CMW6000-13    | FLANGED BUSH (OILITE)                      | 1    |
| CMW6000-44B7  | VIB SPRINGS V2 7 PLY                       | 1    |
| CMW6000-44B9  | VIB SPRINGS V2 9 PLY                       | 1    |
| CMW6000-44B11 | VIB SPRINGS V2 11 PLY                      | 1    |
| CMW6000-44C   | M10 VIB SPRING SPACER                      | 1    |
| CMW6000-17C   | QUICK COUPLE SKT (BULK / FINE / WEIGHPAN)  | 1    |
| CMW6000-17D   | QUICK COUPLE PLUG (BULK / FINE / WEIGHPAN) | 1    |
| CMW6000-39    | V1 COIL                                    | 1    |
| CMW6000-17A   | KBRM-08 ROD END                            | 1    |

### ELECTRONICS COMMON

| Item no  | Description                   | Qty. |
|----------|-------------------------------|------|
| CMWC-20  | PAC020 LOADCELL DIGITIZER     | 1    |
| CMWC-16  | PAC016-160 24V P/SUPPLY 160VA | 1    |
| CMWC-15  | PAC015 KEYPAD & CONNECTORS    | 1    |
| CMWC-LCD | PAC LCD                       | 1    |

### ELECTRONICS SINGLE / TWIN

|         |                       |   |
|---------|-----------------------|---|
| CMWC-12 | PAC012-3002 LCD BOARD | 1 |
|---------|-----------------------|---|

### ELECTRONICS TRIPLE / QUAD

|          |                                 |   |
|----------|---------------------------------|---|
| CMWC-11  | PAC011- 24XI/O CONTROLLER BOARD | 1 |
| CMWC-12A | PAC012-3008 REMOTE LCD BOARD    | 1 |

### ELECTRONICS OPTIONS

|          |   |   |
|----------|---|---|
| CMWC-3   | PAC003 4 CHANNEL VIBRATOR DRIVE           | 1 |
| CMWC-37  | PAC037 4 CHANNEL VIBRATOR DRIVE           | 1 |
| CMWC-31  | PAC031 2 CHANNEL FREQUENCY VIBRATOR DRIVE | 1 |
| CMWC-RB2 | RLB2 2 CHANNEL RELAY BOARD                | 1 |
| CMWC-RB4 | RLB4 4 CHANNEL RELAY BOARD                | 1 |
| CMWC-RB8 | RLB8 8 CHANNEL RELAY BOARD                | 1 |